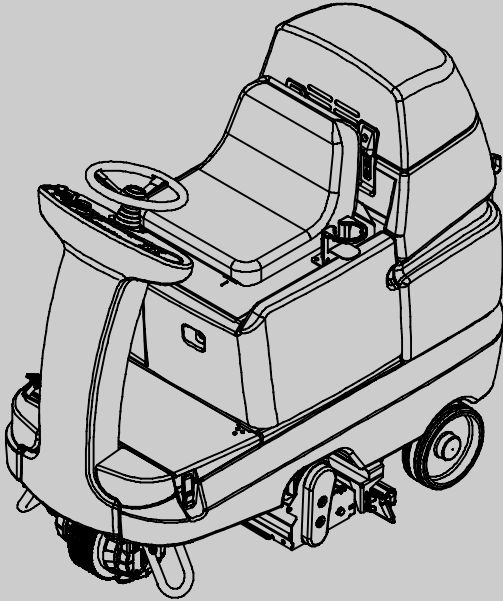
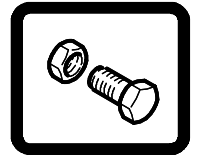


R14

Dual Technology Rider Carpet Cleaner

Parts Manual



READY SPACE®

More than clean, it's ReadySpace.®

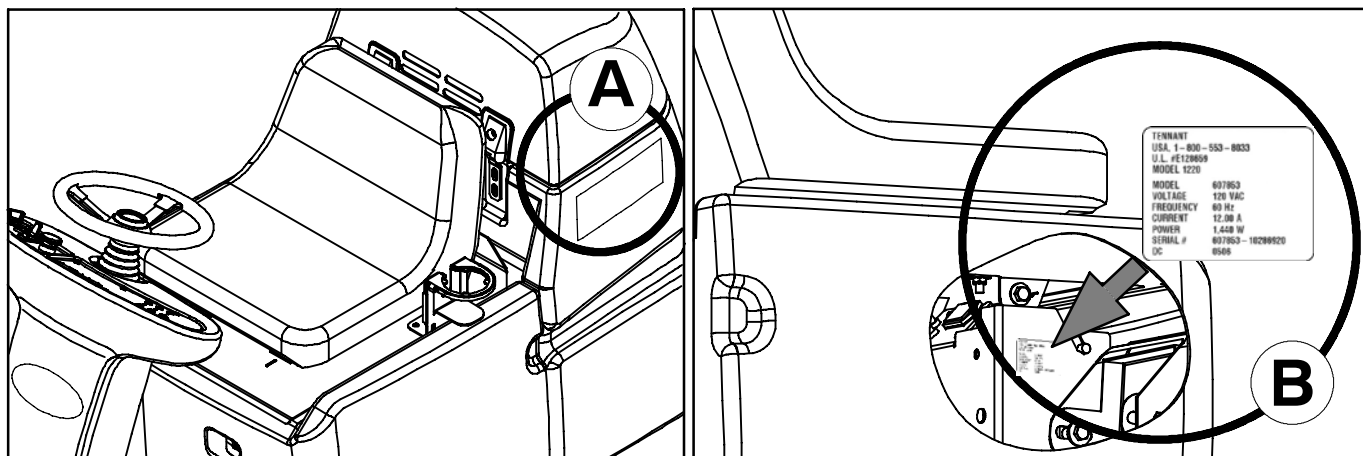
Hygenic® Fully Cleanable Tanks

North America

www.tennantco.com

1032125
Rev. 03 (03-2009)





Ref	Part No.	Serial Number	Description	Qty.
1	82681	(000000-)	Bracket Wldt, Lpg Mount	1
▽ 2	63810	(000000-)	Ch Assy, Lpg Tank Mtg, W/Nut	4
▲ 3	51839	(000000-)	Mat Adjustable, Lpg Tank Mtg	2
4	49263	(000000-)	Tie, Cable	3
ⓓ 82556	(000000-001039)		Bracket, Vaporizer	1
	54930	(000000-)	Vaporizer, LPG	1

HOW TO ORDER PARTS - See diagram above

Only use TENNANT Company supplied or equivalent parts. Parts and supplies may be ordered online, by phone, by fax or by mail.

Follow the steps below to ensure prompt delivery.

1. **(A)** Identify the machine model.
2. **(B)** Identify the machine serial number from the data label.
3. **(C)** Ensure the proper serial number is used from the parts list.
4. Identify the part number and quantity.
Do not order by page or reference numbers.
5. Provide your name, company name, customer ID number, billing and shipping address, phone number and purchase order number.
6. Provide detail shipping instructions.

- (D)** ▽ - identifies an assembly
(E) ▲ - identifies parts included in assembly
(E) ● - identifies a recommended stock item

Please fill out at time of installation for future reference.

Model No. - _____
 Serial No. - _____
 Machine Options - _____
 Sales Rep. - _____
 Sales Rep. phone no. - _____
 Customer ID Number - _____
 Installation Date - _____

Tennant Company

PO Box 1452
 Minneapolis, MN 55440
 Phone: (800) 553-8033 or (763) 513-2850

www.tennantco.com

FaST-PAK is a US registered and unregistered trademark of Tennant Company.

Specifications and parts are subject to change without notice.

Copyright © 2006, 2007, 2009 TENNANT Company, Printed in U.S.A.

TABLE OF CONTENTS

STANDARD PARTS

REPLACEMENT ROLLERS AND BRUSHES GROUP	5
MAIN FRAME GROUP	6
SEAT GROUP	8
STEERING GROUP	10
INSTRUMENT PANEL GROUP	12
FRONT DRIVE WHEEL GROUP	14
BRAKE PEDAL AND ACCELERATOR PEDAL GROUP	16
RECOVERY TANK GROUP	18
VACUUM FAN GROUP	20
SOLUTION TANK GROUP	22
TANKS DRAIN GROUP	24
CIRCUIT BOARD GROUP	26
ELECTRICAL GROUP	28
VACUUM FLOOR TOOL GROUP	30
SCRUB HEAD GROUP	32
SCRUB HEAD GROUP - CONT'D	34
SCRUB HEAD LIFT GROUP	36
VACUUM SHOE AND SOLUTION FLUSH LINE GROUP	38
SOLUTION GROUP	40
SOLUTION GROUP - CONT'D	42
BATTERY GROUP, 335 Ah	44
LABEL GROUP	46
ELECTRICAL DIAGRAM	48
ELECTRICAL WIRE HARNESS GROUP - SECTION 1 OF 5	50
ELECTRICAL WIRE HARNESS GROUP - SECTION 2 OF 5	51

ELECTRICAL WIRE HARNESS GROUP - SECTION 3 OF 5 (S/N 10389602-)	52
ELECTRICAL WIRE HARNESS GROUP - SECTION 3 OF 5 (S/N 00000000-10389601)	53
ELECTRICAL WIRE HARNESS GROUP - SECTION 4 OF 5	54
ELECTRICAL WIRE HARNESS GROUP - SECTION 5 OF 5	55

OPTIONS

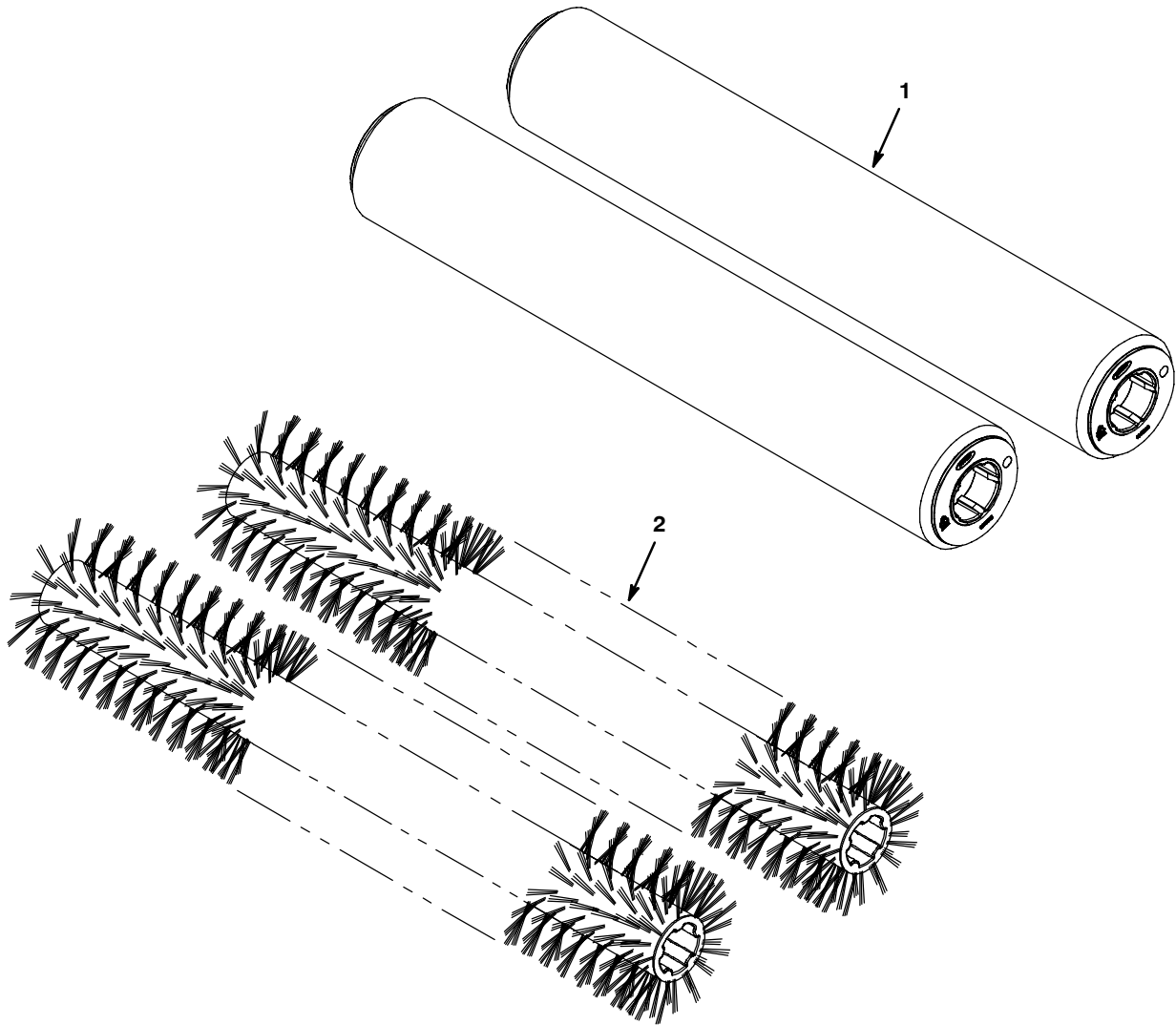
FLASHING LIGHT KIT	56
BASKET KIT	57
FLOOR TOOL, LOW PRESSURE 13 in / 330 mm	58
FLOOR TOOL, LOW PRESSURE 16 in / 406 mm	60
HAND TOOL, 5 in / 127 mm	62
HAND TOOL, CREVICE 3 in / 76 mm	63
HAND TOOL, UPHOLSTERY, LOW PRESSURE	64
HOSES, SOLUTION AND VACUUM GROUP ...	65
BATTERY CHARGER GROUP	66
SPRAYER GROUP	67
DOCUMENTATION GROUP	67

BREAKDOWNS

FRONT DRIVE WHEEL GEARBOX BREAKDOWN	68
STEERING CONTROL BREAKDOWN	70



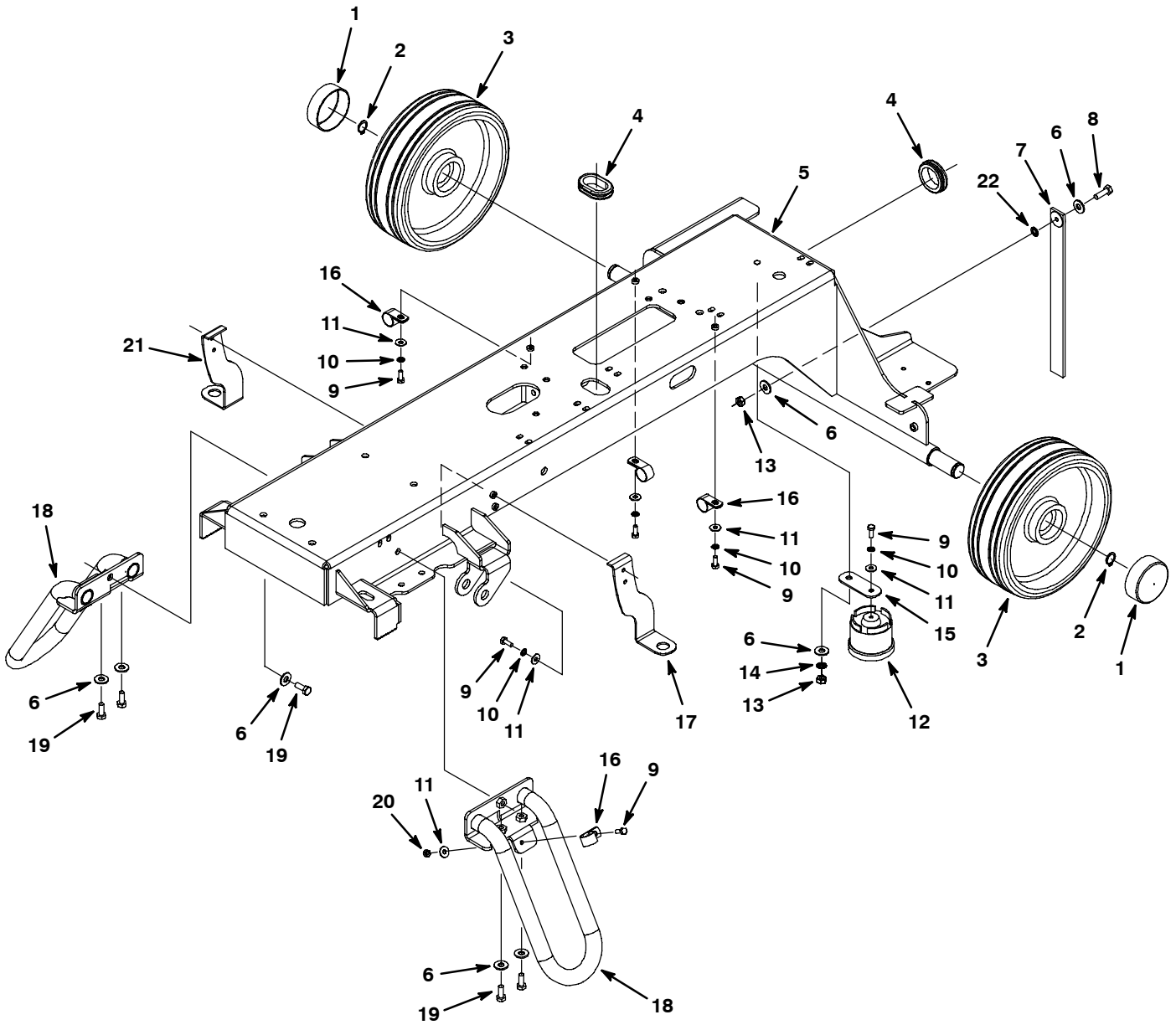
REPLACEMENT ROLLERS AND BRUSHES GROUP



Ref.	Part No.	Serial Number	Description	Qty.
1	1020798	(00000000-)• Roller Assy, Soil Transfer, 700mm	2
2	1021342	(00000000-)• Brush, Scb, 700mm, 10sr, Nyl, Spl	2

• RECOMMENDED STOCK ITEMS

MAIN FRAME GROUP

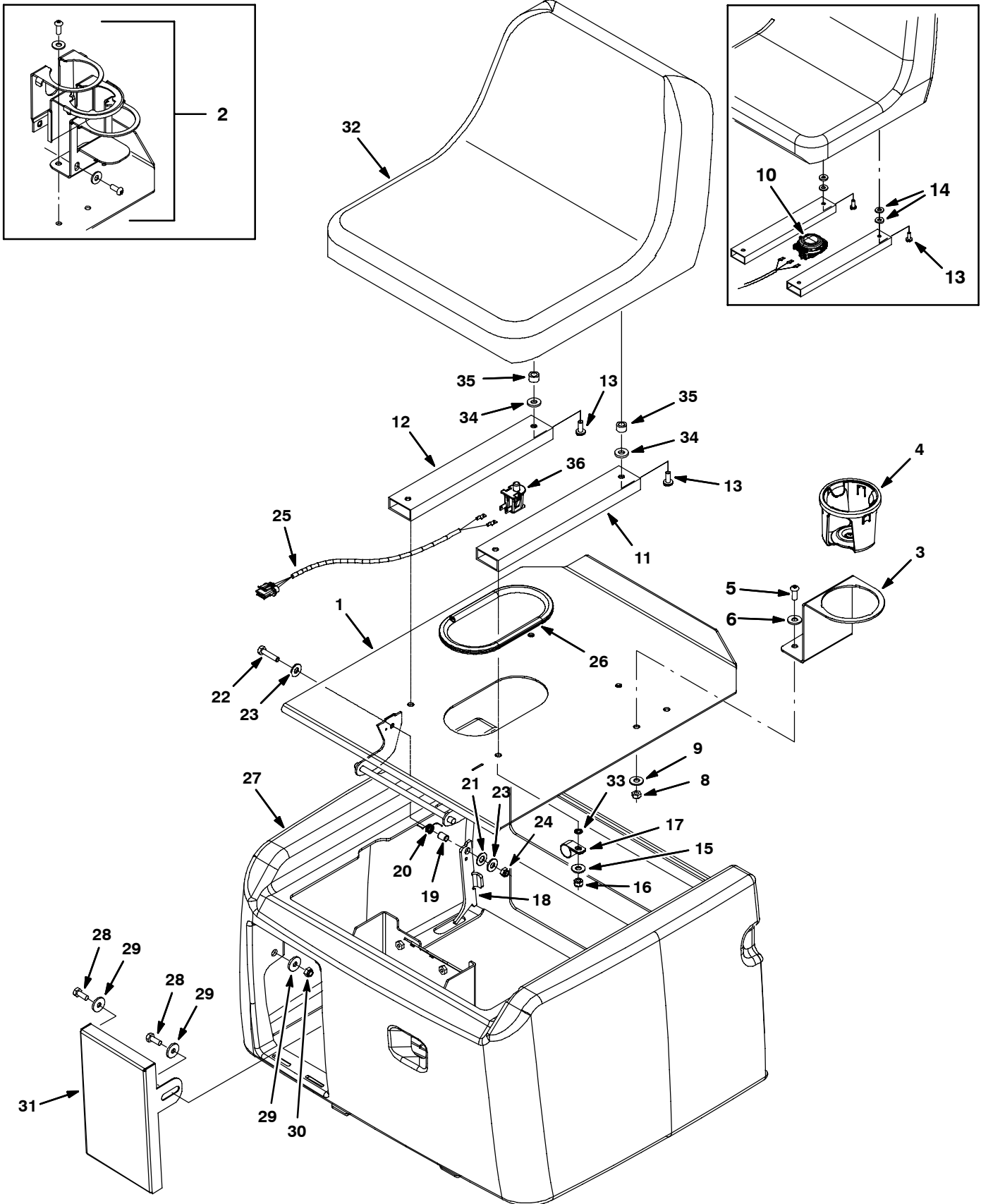


MAIN FRAME GROUP

Ref.	Part No.	Serial Number	Description	Qty.
1	1016957	(00000000-)● Cap, Vyl, 70mmid X 25mml	2
2	09005	(00000000-) Ring, Retaining, Ext, 1.00d, Basic	2
3	1038560	(00000000-)● Tire Assy, Solid, 250mmx80mm, 25mm Id	2
4	10632-13	(00000000-) Grommet, Rbr, 1.50id, F/1.8h, .19 Matl	2
5	1023551	(00000000-) Frame, Wldt	1
6	01685	(00000000-) Washer, Flat, 0.31, Ss	9
7	1014318	(00000000-)● Strap, Static, 10.3l [Afmkt]	1
8	09010	(00000000-) Screw, Hex, M8 X 1.25 X 25, Ss	1
9	08716	(00000000-) Screw, Hex, M6 X 1.0 X 20, Ss	9
10	07515	(00000000-) Washer, Lock, Int, 0.25, Ss	8
11	01684	(00000000-) Washer, Flat, 0.25, Ss	9
12	1018505	(00000000-)● Horn, 12-48vdc	1
13	08713	(00000000-) Nut, Hex, Lock, M8 X 1.25, NI, Ss	2
14	43952	(00000000-) Washer, Lock, Int, 0.31, Ss	1
15	1025354	(00000000-) Plate, Mtg, Horn	1
16	40678-1	(00000000-) Clamp, Cable, Stl, 0.88d X 0.62w, 1hole	4
17	1025383	(00000000-) Bracket, Jet, Spray, Lh	1
18	1025473	(00000000-) Stabilizer Wldt	2
19	09740	(00000000-) Screw, Hex, M8 X 1.25 X 20, Ss	6
20	08712	(00000000-) Nut, Hex, Lock, M6 X 1.00, Ss, NI	1
21	1025389	(00000000-) Bracket, Jet, Spray, Rh	1
22	41141	(00000000-) Washer, Lock, Int-Ext, 0.31	1

● RECOMMENDED STOCK ITEMS

SEAT GROUP

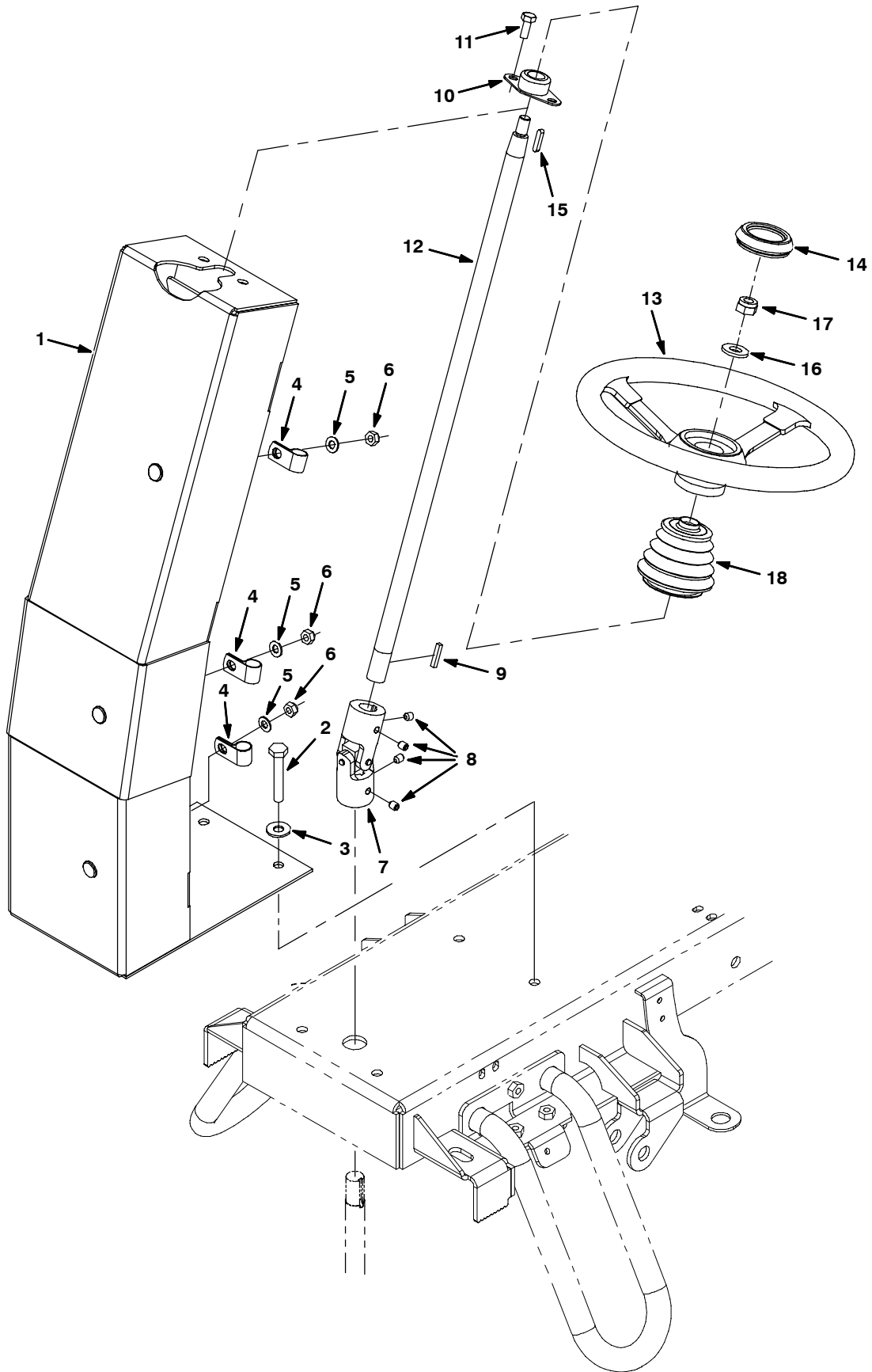


SEAT GROUP

Ref.	Part No.	Serial Number	Description	Qty.
1	1015406	(00000000-) Plate, Seat, W/ Label	1
2	1038062	(00000000-10382115) Holder Kit, Cup, Assy [T7]	1
3	1038081	(10382116-) Holder, Cup, Brkt, Blk, [T7]	1
4	1025867	(10382116-) Holder, Cup, Blk [T7]	1
5	1016430	(00000000-) Screw, Btn, M8 X 1.25 X 25, 10.9, Blk	2
6	1016435	(00000000-) Washer, Flat, 0.38b 0.90d .08, Stl, Blk	2
7	393135	(00000000-) Screw, Btn, M8 X 1.25 X 20, Blk	2
8	08713	(00000000-) Nut, Hex, Lock, M8 X 1.25, NI, Ss	2
9	01685	(00000000-) Washer, Flat, 0.31, Ss	2
10	223078	(00000000-10400496)● Switch, Seat, No [Delta 6500]	1
11	1017053	(00000000-) Rail, Adj, Slide, Seat, 11.5l	1
12	1017054	(00000000-) Rail, Adj, Slide, Seat, 11.5l, W/ Latch	1
13	25537	(00000000-) Screw, Pan, .31-18 X 0.75, G2	4
14	69461	(00000000-10400496) Washer, Flat, 0.38b 0.88d .12, Stl, PI	8
15	32491	(00000000-) Washer, Flat, 0.31, Std	4
16	01760	(00000000-) Nut, Hex, Lock, .31-18, NI, Thin	4
17	46236	(00000000-) Clamp, Cable, Stl, 0.25d X 0.56w, 1h	1
18	1016000	(00000000-) Plate, Stop, Seat	1
19	1017699	(00000000-) Sleeve, P/M, 0.31b 0.44d 0.6l [430ss]	1
20	10928	(00000000-) Spring, Tors, 0.49id .05wir 05.0coil	1
21	1018151	(00000000-) Washer, Flat, 0.44b 0.88d .06, Nyl	1
22	09023	(00000000-) Screw, Hex, M8 X 1.25 X 35, Ss, FI	1
23	01685	(00000000-) Washer, Flat, 0.31, Ss	2
24	08713	(00000000-) Nut, Hex, Lock, M8 X 1.25, NI, Ss	1
25	391951	(00000000-)● Harness, Seat [T7/Ssr]	1
26	1020170	(00000000-) Molding, Afmkt, Trim, Pvc, .08 .11, 2ft	1
27	9002898	(00000000-) Cover, Box, Battery, Trim [R14]	1
28	09740	(00000000-) Screw, Hex, M8 X 1.25 X 20, Ss	2
29	1017218	(00000000-) Washer, Flat, 0.32b 1.00d .12, Ss	3
30	08713	(00000000-) Nut, Hex, Lock, M8 X 1.25, NI, Ss	1
31	1023549	(00000000-) Bracket, Fill [Fast Opng]	1
32	1048932	(10400497-)● Seat, Std [Michigan, Model V-2505]	1
32	9005082	(00000000-10400496)● Seat Kit, Std, Replmt	1
33	41141	(00000000-) Washer, Lock, Int-Ext, 0.31	1
34	69461	(10400497-) Washer, Flat, 0.38b 0.88d .12, Stl, PI	4
35	1051052	(10400497-) Spacer, Rnd, .38b .88d .38l	4
36	1048955	(10400497-) Switch, Seat, No [Delta 6440-04]	1

● RECOMMENDED STOCK ITEMS

STEERING GROUP

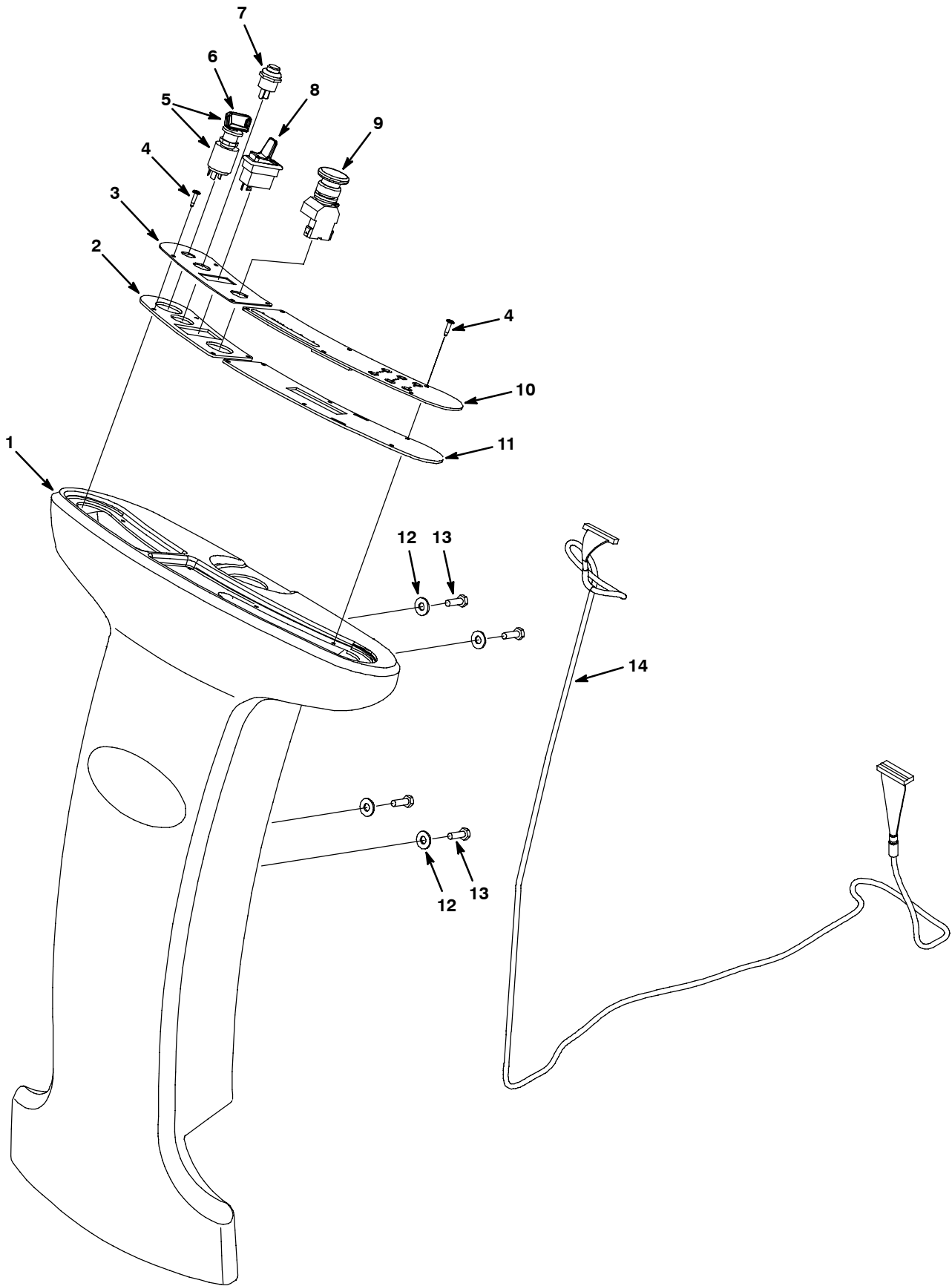


STEERING GROUP

Ref.	Part No.	Serial Number	Description	Qty.
1	1018561	(00000000-) Support Wldt, Steering	1
2	14529	(00000000-) Screw, Hex, M10 X 1.5 X 70, Ss	4
3	01686	(00000000-) Washer, Flat, 0.44b 1.00d .08, Ss	4
4	69234	(00000000-) Clamp, Cable, Stl, 1.00d X 0.75w, 1h	3
5	32490	(00000000-) Washer, Flat, 0.25, Std	3
6	08709	(00000000-) Nut, Hex, Lock, M8 X 1.25, NI	3
7	1040295	(00000000-) Joint, U, 0.75id	1
8	46820	(00000000-) Screw, Set, .31-18 X 0.38, NI	4
9	00912	(00000000-) Key, Sq, 0.19 X 0.19, 1.00l	1
10	223065	(00000000-) Bearing, Flng, 2hole, 0.75b [Nyl]	1
11	09740	(00000000-) Screw, Hex, M8 X 1.25 X 20, Ss	2
12	1013164	(00000000-) Shaft, Steering, Wheel	1
13	1012002	(00000000-)● Wheel, Steering, 300mm	1
14	1019706	(00000000-)● Cap, Wheel, Steering	1
15	1014328	(00000000-) Key, Sq, 05mm X 05mm X 25mml	1
16	64154	(00000000-) Washer, Flat, 0.53b 1.12d .11, Stl, PI	1
17	08711	(00000000-) Nut, Hex, Lock, M12 X 1.75,NI	1
18	1012437	(00000000-) Bellows, Shaft, Steering	1

● RECOMMENDED STOCK ITEMS

INSTRUMENT PANEL GROUP



INSTRUMENT PANEL GROUP

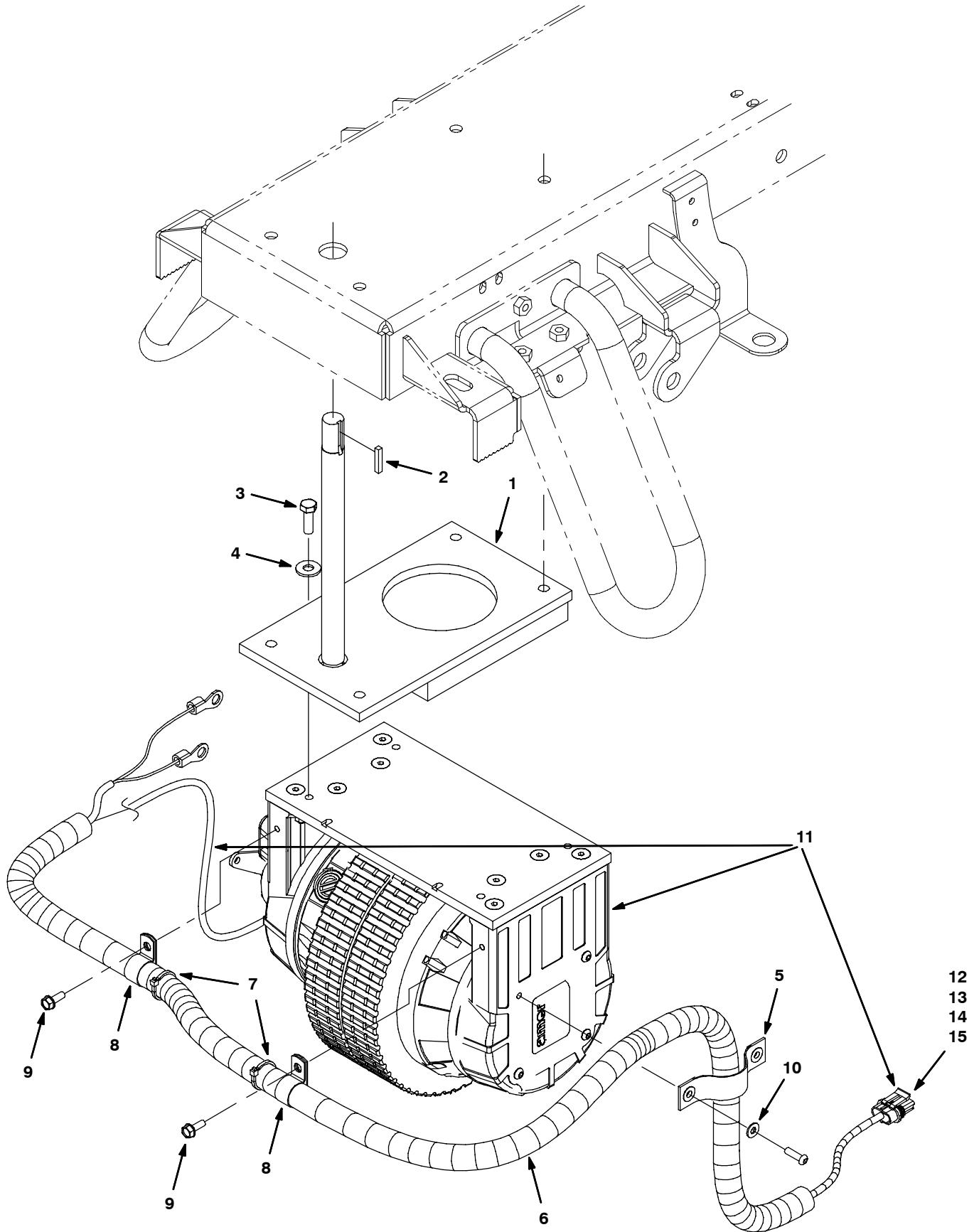
Ref.	Part No.	Serial Number	Description	Qty.
1	1015415	(00000000-) Column, Steering, W/ Label [T7] (Teal)	1
1	9003093	(00000000-) Column, Steering, W/ Label [Aramark T7] (Gray)	1
2	1014080	(00000000-) Gasket, Panl, Instmt, Rh, .13, Foam, Adh	1
3	1046313	(10403819-)● Panel, Instmt, Rh	1
3	9004968	(00000000-10403818) Switch Kit, Key, [T7/Ssr/R14/Strv Rdr]	1
4	72969	(00000000-) Rivet, Plstc, .181d X 0.720	10
▽	5	1011402	(10403819-)● Switch, Key	1
▲	6	1017696	(10403819-)● Key Set, Replmt [F/ Keyswitch 1011402]	1
▽	5	9004968	(00000000-10403818)● Switch Kit, Key, [T7/Ssr/R14/Strv Rdr]	1
▲	6	361144	(00000000-10403818)● Key, Ignition [Set Of 2] (For Key Switch 1016789)	1
7	1014832	(00000000-)● Switch, Horn	1
8	1013763	(00000000-)● Switch, Rocker, Spst, Paddle	1
9	1011735	(00000000-)● Switch, Safety, Shutoff	1
10	1024154	(00000000-) Panel, Instmt, Lh [Tco]	1
11	1013939	(00000000-) Gasket, Panl, Instmt, Lh, .13, Foam, Adh	1
12	01685	(00000000-) Washer, Flat, 0.31, Ss	4
13	39277	(00000000-) Screw, Hex, M8 X 1.25 X 25, 8.8	4
14	1016865	(00000000-)● Cable, Ribbon, 90.6l	1

▽ ASSEMBLY

▲ INCLUDED IN ASSEMBLY

● RECOMMENDED STOCK ITEMS

FRONT DRIVE WHEEL GROUP



FRONT DRIVE WHEEL GROUP

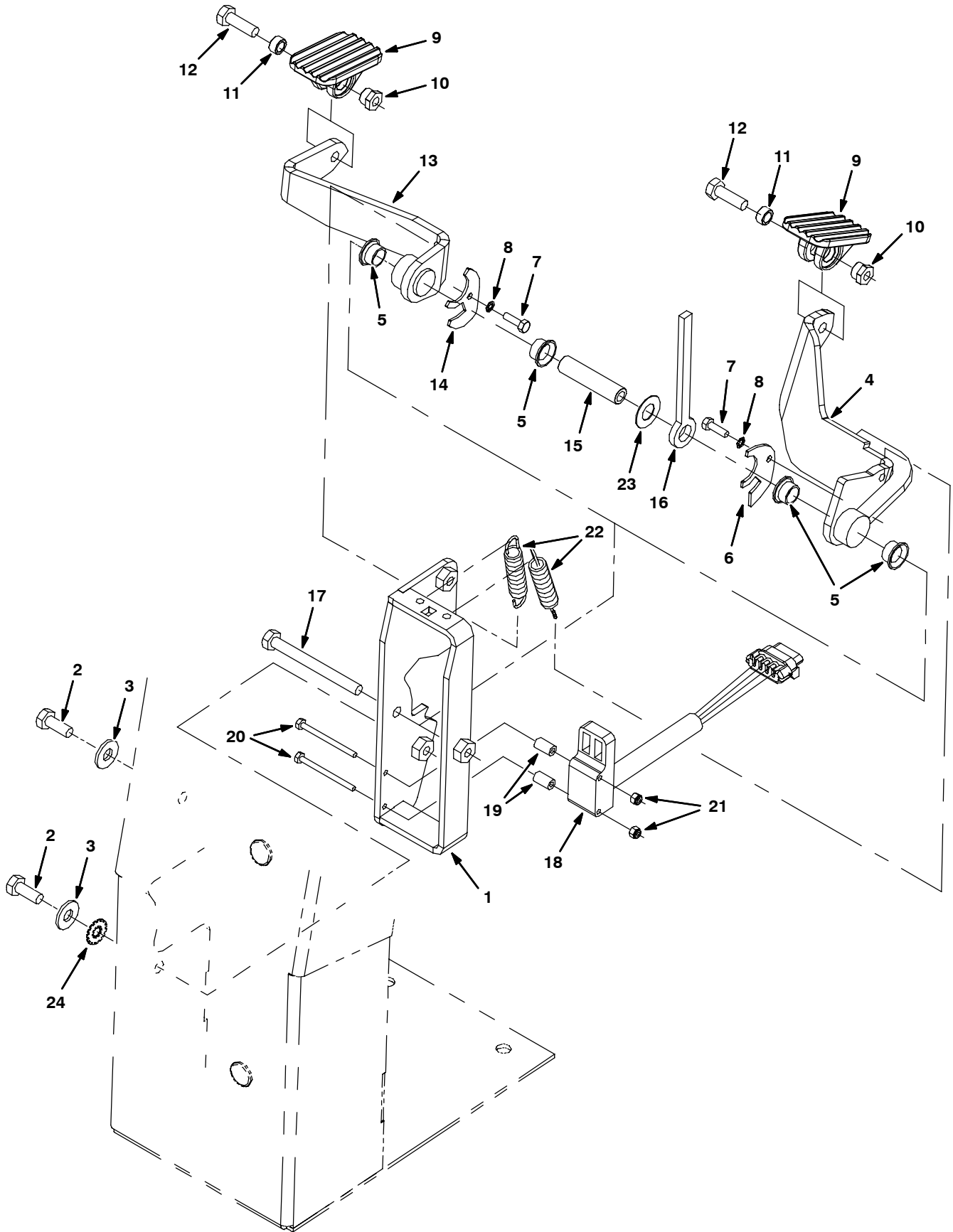
Ref.	Part No.	Serial Number	Description	Qty.
1	1019724	(00000000-) Steer-Control Assy, Wheel Drive	1
2	00912	(00000000-) Key, Sq, 0.19 X 0.19, 1.00l	1
3	09740	(00000000-) Screw, Hex, M8 X 1.25 X 20, Ss	4
4	01685	(00000000-) Washer, Flat, 0.31, Ss	4
5	1019224	(00000000-) Strap, Nyl	1
6	1015761	(00000000-) Sleeve, Afmkt, Nyl, #13, 03ft	1
7	49263	(00000000-) Tie, Cable, Nyl, 11.4l .19w 3.0 Max D	2
8	40678-1	(00000000-) Clamp, Cable, Stl, 0.88d X 0.62w, 1hole	2
9	361339	(00000000-) Screw, Hex, M6 X 1.0 X 16, Fmg	2
10	19066	(00000000-) Washer, Flat, #10	2
▽	11	9003021	(00000000-)● Gearbox Kit, Wheel, 250mm, W/Connector	1
▲	12	78950	(00000000-)● Connector, Fem, 2cav, Mp280 Sealed	1
▲	13	78952	(00000000-)● Lock, Secondary, 2cav, Mp280 Sealed	1
▲	14	25837	(00000000-)● Terminal, Fem, Mp280, Sealed, 22-20ga	2
▲	15	25830	(00000000-)● Seal, Wire, 14ga [Wp / Mp280 Sealed]	2

▽ ASSEMBLY

▲ INCLUDED IN ASSEMBLY

● RECOMMENDED STOCK ITEMS

BRAKE PEDAL AND ACCELERATOR PEDAL GROUP

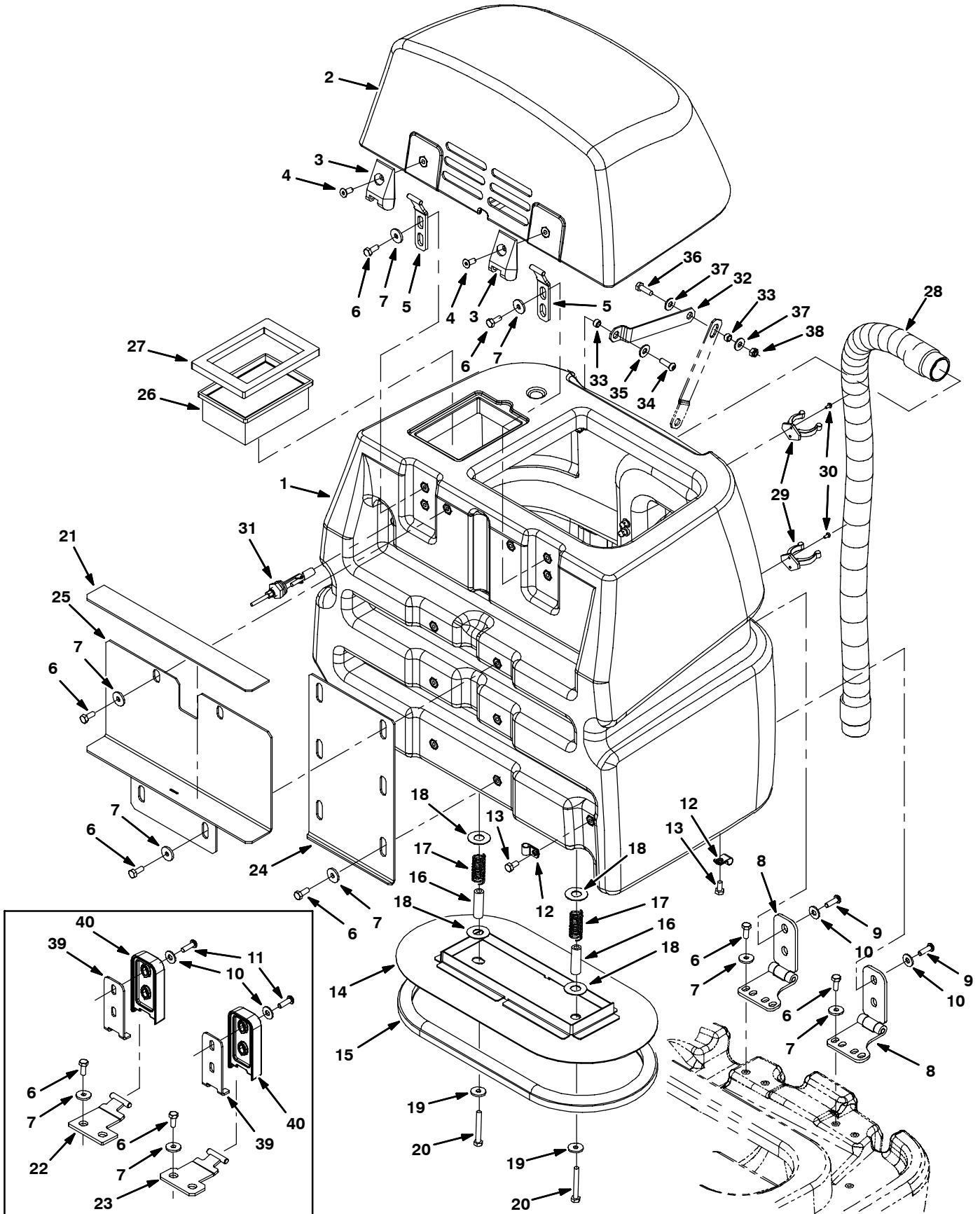


BRAKE PEDAL AND ACCELERATOR PEDAL GROUP

Ref.	Part No.	Serial Number	Description	Qty.
1	1011970	(00000000-) Frame Wldt, Pedal	1
2	09740	(00000000-) Screw, Hex, M8 X 1.25 X 20, Ss	2
3	01685	(00000000-) Washer, Flat, 0.31, Ss	2
4	1019766	(00000000-) Arm Wldt, Brake	1
5	15648	(00000000-) Bushing, Flng, 0.50b 0.59d 0.38l	4
6	1011955	(00000000-) Plate, Brake	1
7	24199	(00000000-) Screw, Hex, M5 X 0.8 X 16, Ss	2
8	07514	(00000000-) Washer, Lock, Int, #10, Ss	2
9	1014548	(00000000-) Pedal, Rest, Foot	2
10	1014582	(00000000-) Nut, T, M8 X 1.25 X 11.90od X 6.2l	2
11	1014668	(00000000-) Bushing, Sleeve, 8mmb 12mmd 6mml	2
12	09010	(00000000-) Screw, Hex, M8 X 1.25 X 25, Ss	2
13	1013898	(00000000-) Arm Wldt, Accelerator	1
14	1011951	(00000000-) Plate, Accelerator	1
15	1011865	(00000000-) Pivot, Tube	1
16	1011880	(00000000-) Bearing, Thrust	1
17	06958	(00000000-) Screw, Hex, M8 X 1.25 X 80, 8.8	1
18	1011562	(00000000-)● Sensor, Position [Hall]	1
19	1011957	(00000000-) Tube, Rnd, 0.32d 0.17b 00.6l, Ss, P/M	2
20	32509	(00000000-) Screw, Hex, M4 X 0.7 X 50, Ss	2
21	33932	(00000000-) Nut, Hex, Lock, M4 X 0.70, NI, Ss	2
22	1031716	(00000000-) Spring, Extn, 0.50od X 0.07wir, 3.0l	2
23	20536-2	(00000000-) Washer, Flat, 0.47b 1.19d .03, Nyl	1
24	41141	(00000000-) Washer, Lock, Int-Ext, 0.31	1

● RECOMMENDED STOCK ITEMS

RECOVERY TANK GROUP

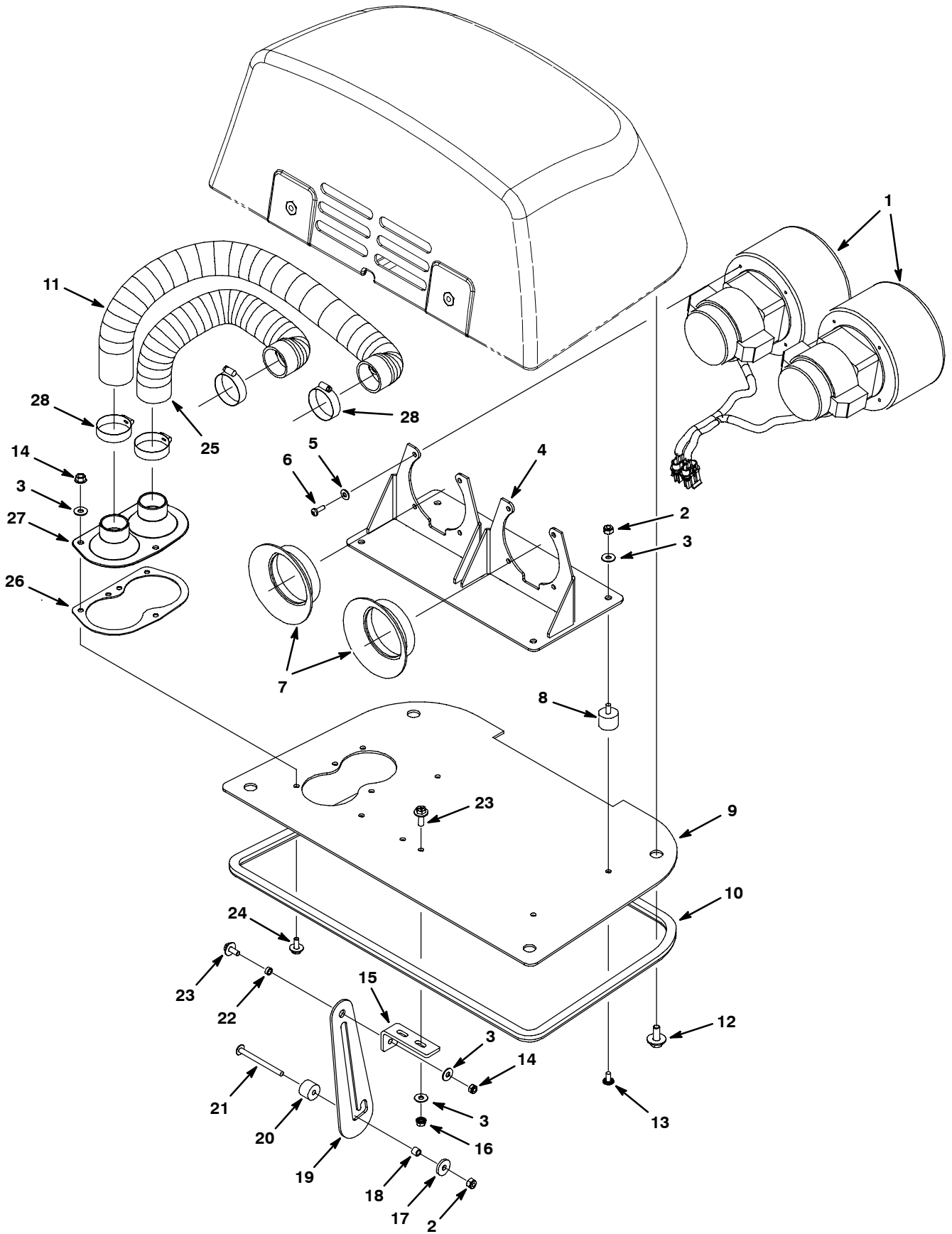


RECOVERY TANK GROUP

Ref.	Part No.	Serial Number	Description	Qty.
1	9002903	(00000000-) Tank, Recvy, W/ Label, Afmkt [R14] (Teal)	1
1	9003092	(00000000-) Tank, Recvy, W/ Label, Afmkt [R14 Aramark] (Gray)	1
2	9002908	(00000000-) Cover, Tank, Recvy, Afmkt [R14]	1
3	222529	(00000000-) Hinge, Leaf	2
4	222463	(00000000-) Screw, Flt, M8 X 1.25 X 20, Blk	2
5	1012055	(00000000-) Hinge Wldt, Cover	2
6	09740	(00000000-) Screw, Hex, M8 X 1.25 X 20, Ss	16
7	1017218	(00000000-) Washer, Flat, 0.32b 1.00d .12, Ss	16
8	1018304	(10346364-) Hinge, 10mm Pin, Crs, Blk [T7]	2
9	393135	(10346364-) Screw, Btn, M8 X 1.25 X 20, Blk	4
10	1016435	(00000000-) Washer, Flat, 0.38b 0.90d .08, Stl, Blk	4
11	1016430	(00000000-10346363) Screw, Btn, M8 X 1.25 X 25, 10.9, Blk	4
12	82829	(00000000-) Clamp, Cable, Stl, 0.63d X 0.75w, 1h	4
13	15675	(00000000-) Screw, Hex, M8 X 1.25 X 16, Ss	4
14	1016855	(00000000-) Plate Wldt, Seal, Tank	1
15	1020301	(00000000-) Seal, Afmkt, Bulb, Clsd Cell, Adh, 08ft	1
16	1016871	(00000000-) Tube, Pvc, 0.63d 0.35b 02.0l	2
17	397255	(00000000-) Spring, Cmpr, 0.90d .080wir 02.0l	2
18	605385	(00000000-) Washer, Flat, 0.69b 1.50d .05, Ss	4
19	1017218	(00000000-) Washer, Flat, 0.32b 1.00d .12, Ss	2
20	1014163	(00000000-) Screw, Hex, M8 X 1.25 X 60, Fl, Ss	2
21	1017705	(00000000-)● Pad, Rbr	1
22	1011752	(00000000-10346363) Hinge Wldt, Tank	1
23	1011753	(00000000-10346363) Hinge Wldt, Tank	1
24	1017670	(00000000-) Angle, Sppt, Tank	1
25	1025647	(00000000-) Bracket Wldt, Tank, Sppt	1
26	1037821	(00000000-)● Filter, Panl, Dust, 2.3 X 04.5 X 06.4	1
27	1016392	(00000000-) Gasket, 05.31 X 03.74 X .50, Ure, Adh	1
28	1025587	(00000000-)● Hose, Vacuum, 1.5d X 32l, 2-Short Cuff	1
29	1001992	(00000000-) Clip, Grip, Hose, 1.75id, Blk Ny	2
30	607006	(00000000-) Screw, Trs, M4 X 0.70 X 12, Phl, Pl	4
31	385685	(00000000-)● Sensor, Level, Liq, 14vdc 01a .62-11	1
32	1011853	(00000000-) Arm, Tank, Retaining	1
33	222516	(00000000-) Sleeve, P/M, 0.31b 0.50d 0.3l [430ss]	2
34	1016430	(00000000-) Screw, Btn, M8 X 1.25 X 25, 10.9, Blk	2
35	1016435	(00000000-) Washer, Flat, 0.38b 0.90d .08, Stl, Blk	1
36	09010	(00000000-) Screw, Hex, M8 X 1.25 X 25, Ss	1
37	01685	(00000000-) Washer, Flat, 0.31, Ss	2
38	08713	(00000000-) Nut, Hex, Lock, M8 X 1.25, NI, Ss	1
39	1017590	(00000000-10346363) Plate, Hinge	2
40	1011536	(00000000-10346363) Hinge, Tank	2

● RECOMMENDED STOCK ITEMS

VACUUM FAN GROUP



VACUUM FAN GROUP

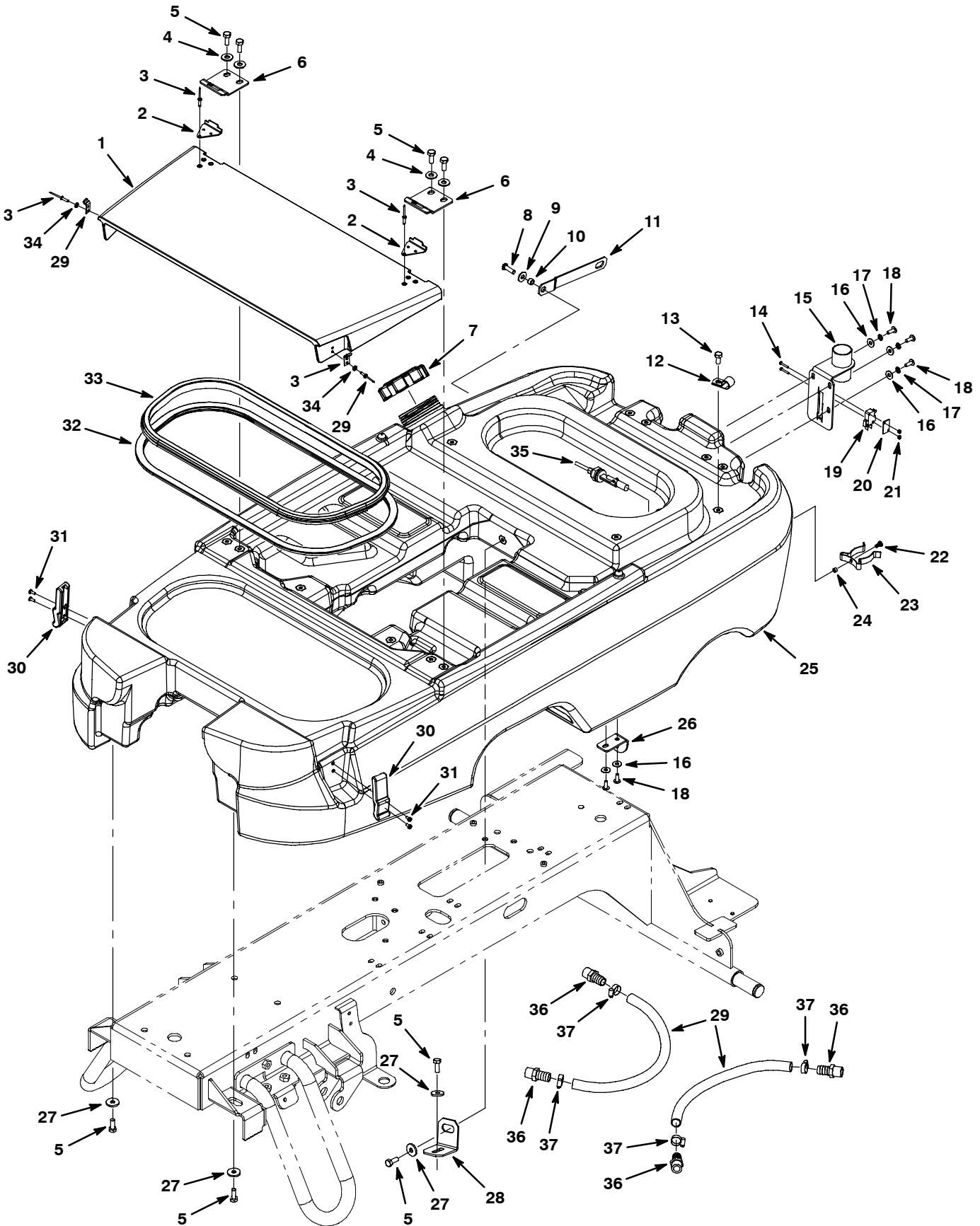
	Ref.	Part No.	Serial Number	Description	Qty.
▽	1	1013432	(00000000-)● Fan, Vacuum, 5.7d 3stage 024vdc [Bpp]	2
▲	1	372883	(00000000-)● Vr, Brush Kit, Motor, Ele	2
▲	1	398511	(00000000-)● Vr, Housing	2
	2	41169	(00000000-) Nut, Hex, Lock, .25-20, NI, Ss	5
	3	01684	(00000000-) Washer, Flat, 0.25, Ss	11
	4	1024100	(00000000-) Bracket Wldt, Mtg, Fan	1
	5	19066	(00000000-) Washer, Flat, #10	8
	6	1015506	(00000000-) Screw, Pan, M5 X 16	8
	7	1011140	(00000000-)● Seal, Fan	2
	8	1000409	(00000000-) Mount, Stud / Plate	4
	9	1027532	(00000000-) Plate, Wldt, Fan	1
	10	9002910	(00000000-)● Seal, Bulb, Str, 0.5h 0.5w 2.014m, Afmkt	1
	11	1024230	(00000000-)● Hose, Vacuum, Wir, 1.50id X 024.0l, Clr	1
	12	1020341	(00000000-) Screw, Hex, M8 X 1.25 X 20, Ss, Sems	4
	13	140195	(00000000-) Screw, Trs, .25-20 X 0.50, Phl, Ss, Sems	4
	14	07790	(00000000-) Nut, Hex, Flng, M6 X 1.00	4
	15	1026322	(00000000-) Bracket, Mtg, Stop	1
	16	1007108	(00000000-) Nut, Hex, Lock, M6 X 1.00, Kep, Ext	2
	17	140053	(00000000-) Washer, Flat, 0.28b 0.88d .12, Ss	1
	18	140154	(00000000-) Sleeve, P/M, 0.25b 0.38d 0.3l, PI	1
	19	1026270	(00000000-) Bracket, Arm, Prop	1
	20	578579	(00000000-) Spacer, 0.25b 0.88d 0.50l	1
	21	1026986	(00000000-) Screw, Trs, .25-20 X 3.00, Phl, Ss	1
	22	80491	(00000000-) Sleeve, P/M, 0.25b 0.38d 0.2l [430ss]	1
	23	1034731	(00000000-) Screw, Hex, M6 X 1.00 X 16, Ss, Sems	3
	24	1034731	(00000000-) Screw, Hex, M6 X 1.00 X 16, Ss, Sems	3
	25	1024233	(00000000-)● Hose, Vacuum, Wir, 1.50id X 012.3l, Clr	1
	26	1025538	(00000000-)● Gasket, Adapter	1
	27	1024787	(00000000-) Adapter, Hose	1
	28	79381	(00000000-) Clamp, Hose, Wormdrive, 1.25-2.00d, .50w	4

▽ ASSEMBLY

▲ INCLUDED IN ASSEMBLY

● RECOMMENDED STOCK ITEMS

SOLUTION TANK GROUP

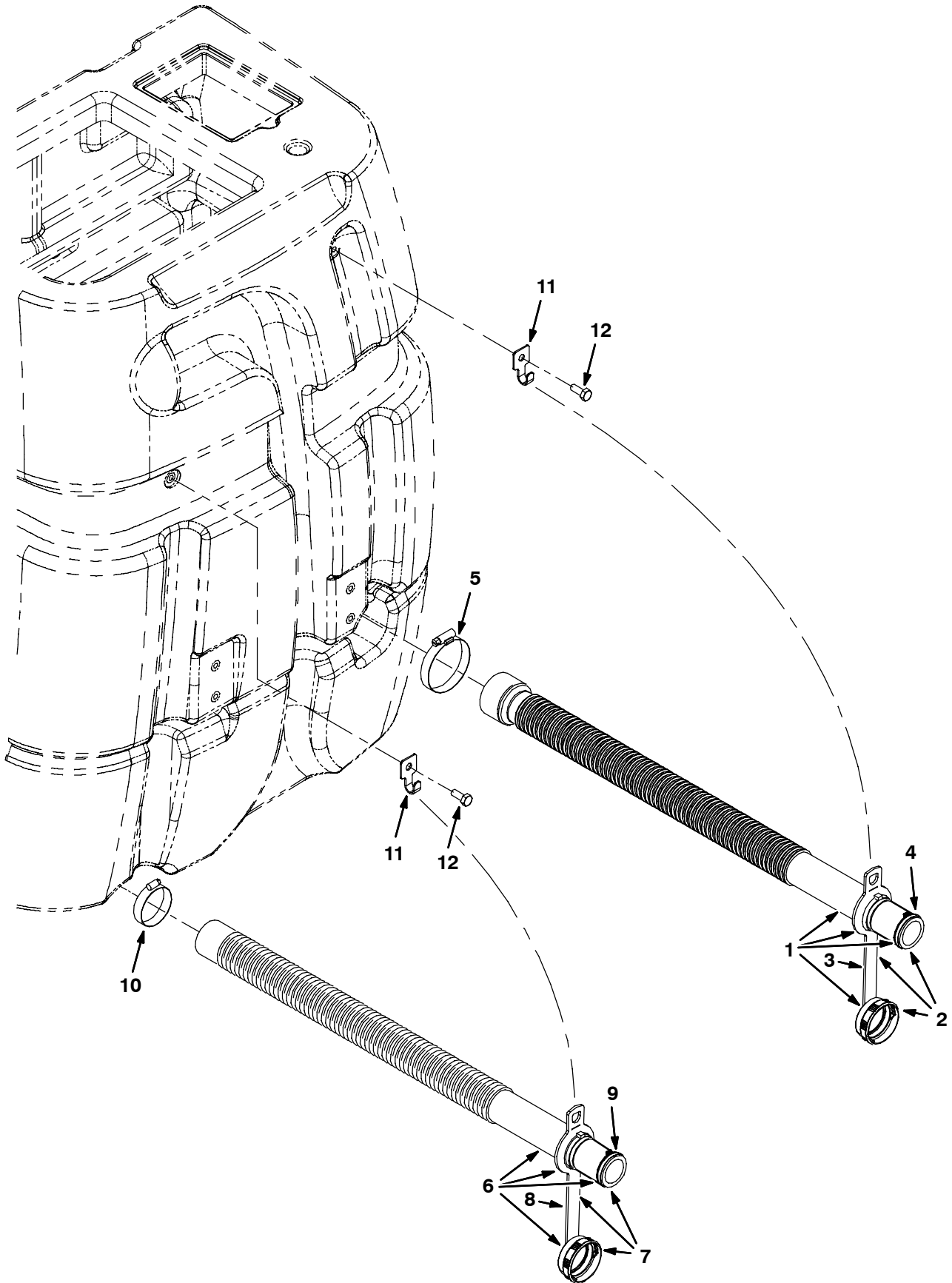


SOLUTION TANK GROUP

Ref.	Part No.	Serial Number	Description	Qty.
1	1012505	(00000000-) Cover, Tank, Soltn	1
2	1020292	(00000000-) Plate, Cover, Tab	2
3	1021677	(00000000-) Rivet, Blind, .154d X 0.55 X .38d, Ss	10
4	01685	(00000000-) Washer, Flat, 0.31, Ss	4
5	09740	(00000000-) Screw, Hex, M8 X 1.25 X 20, Ss	4
6	1020317	(00000000-) Catch, Cover	1
7	1011885	(00000000-)● Cap, Tank	4
8	1016430	(00000000-) Screw, Btn, M8 X 1.25 X 25, 10.9, Blk	1
9	1016435	(00000000-) Washer, Flat, 0.38b 0.90d .08, Stl, Blk	1
10	222516	(00000000-) Sleeve, P/M, 0.31b 0.50d 0.3l [430ss]	1
11	1011852	(00000000-) Arm, Tank, Retaining	1
12	82829	(00000000-) Clamp, Cable, Stl, 0.63d X 0.75w, 1hole	2
13	15675	(00000000-) Screw, Hex, M8 X 1.25 X 16, Ss	2
14	06922	(00000000-) Screw, Pan, M3 X 0.50 X 20, 4.8	2
15	1024246	(00000000-) Bracket, Hose, Vacuum	1
16	01684	(00000000-) Washer, Flat, 0.25, Ss	5
17	07515	(00000000-) Washer, Lock, Int, 0.25, Ss	3
18	608322	(00000000-) Screw, Trs, M6 X 1.00 X 16, Phl, Ss	5
19	9002907	(00000000-) Switch Kit, Afmkt [Gator]	1
20	601359	(00000000-) Plate, Backing, Switch	1
21	579211	(00000000-) Nut, Hex, Lock, M3 X 0.50, Ss	2
22	140287	(00000000-) Screw, Pan, M4 X 0.7 X 16, Phl, Ss	1
23	1030368	(00000000-) Clip, Adj, Tool Clip, 1 To 1.78 Dia.	1
24	630452	(00000000-) Spacer, Plstc, 4.3b 8.0d 5.0l, Ny Blk	1
25	9002905	(00000000-) Tank, Soltn W/ Label, Afmkt [R14]	1
26	1027562	(00000000-) Bracket, Hose, Qdc	1
27	1017218	(00000000-) Washer, Flat, 0.32b 1.00d .12, Ss	4
28	1014072	(00000000-) Bracket, Mtg, Tank	1
29	9002919	(00000000-) Hose, Pvc, Clr, 0.62id 0.88od, 36l	1
30	49800	(00000000-)● Latch	2
31	607006	(00000000-) Screw, Trs, M4 X 0.70 X 12, Phl, Pl	4
32	1020727	(00000000-) Seal, Afmkt, Bulb, Clsd Cell, Adh, 08ft	2
33	1020719	(00000000-) Seal, Afmkt, Bulb, Clsd Cell, Adh, 08ft	5
34	140026	(00000000-) Washer, Flat, #06, Sae Pl	4
35	385685	(00000000-)● Sensor, Level, Liq, 14vdc 01a .62-11	1
36	41440	(00000000-) Fitting, Plstc, Str, Bm10/Pm08	4
37	54333	(00000000-) Clamp, Hose, Wormdrive, 0.31-0.88d, .31w	4

● RECOMMENDED STOCK ITEMS

TANKS DRAIN GROUP



TANKS DRAIN GROUP

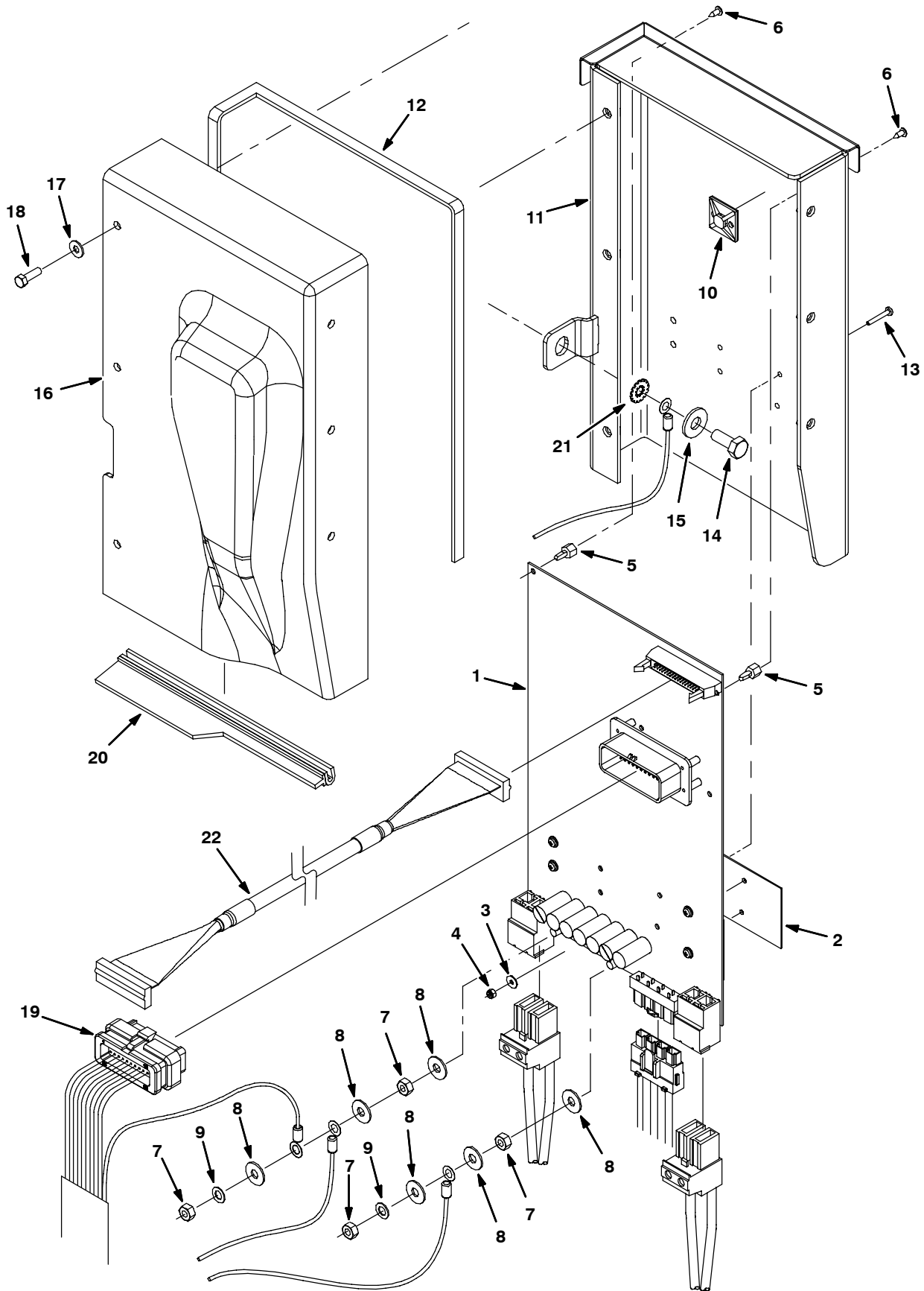
Ref.	Part No.	Serial Number	Description	Qty.
▽	1	1014274	(00000000-)● Hose Assy, Drain, 1.5d X 27.8l, Blk, 2id	1
▲▽	2	1008639	(00000000-)● Cap, Drain Assy	1
▲▲	3	1019563	(00000000-)● Strap, Cap, Drain	1
▲▲	4	1008637	(00000000-)● Seal, Org, 1.48id 1.76od	1
	5	14432	(00000000-) Clamp, Hose, Wormdrive, 1.81-2.75d, .50w	1
▽	6	1014268	(00000000-)● Hose Assy, Drain, 1.5d X 27.0l, Blk	1
▲▽	7	1008639	(00000000-)● Cap, Drain Assy	1
▲▲	8	1019563	(00000000-)● Strap, Cap, Drain	1
▲▲	9	1008637	(00000000-)● Seal, Org, 1.48id 1.76od	1
	10	11531	(00000000-) Clamp, Hose, Wormdrive, 1.06-2.00d, .56w	1
	11	222793	(00000000-)● Clip, Hanger, Hose, .38d Hole, Ss	2
	12	15675	(00000000-) Screw, Hex, M8 X 1.25 X 16, Ss	2

▽ ASSEMBLY

▲ INCLUED IN ASSEMBLY

● RECOMMENDED STOCK ITEMS

CIRCUIT BOARD GROUP



CIRCUIT BOARD GROUP

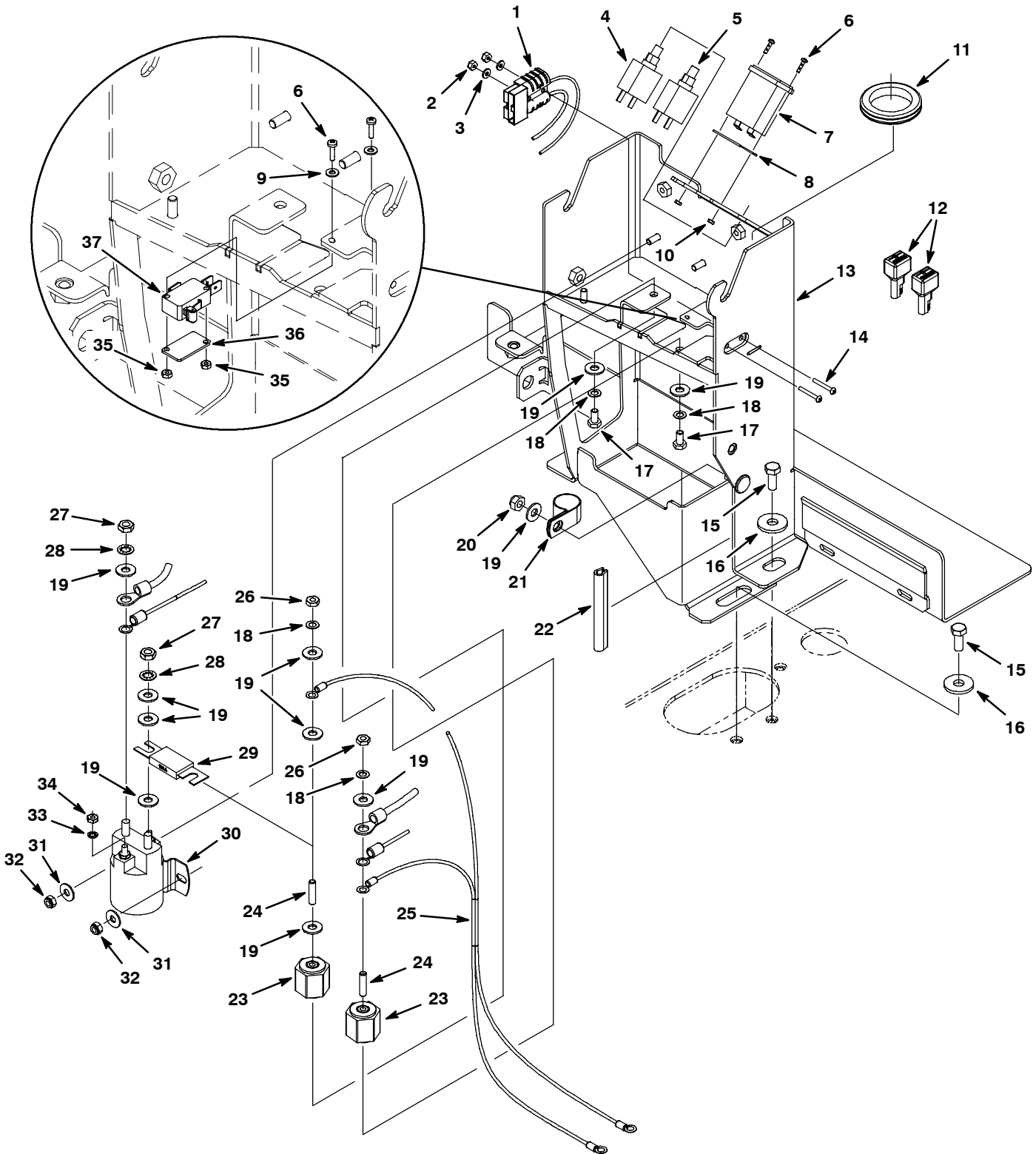
Ref.	Part No.	Serial Number	Description	Qty.
▽	1	9002900	(00000000-)● Controller Kit, Afmkt, Ci [Gator]	1
▲		27964	(00000000-)● Strap, Static Ground, Disposable	1
▲	2	1016816	(00000000-)● Pad, Thermal, Heat Sink	1
▲	3	1019218	(00000000-) Washer, Flat, 0.14b 0.31d .03, Nyl	4
▲	4	579211	(00000000-) Nut, Hex, Lock, M3 X 0.50, Ss	4
▲	5	1016825	(00000000-) Support, Circuitboard	2
▲	6	3701.6	(00000000-) Screw, Pan, #06-32 X 0.38, Phl Ss Shtmtl	2
▲	7	07785	(00000000-) Nut, Hex, Std, M6 X 1.00, A2, Ss	4
▲	8	01684	(00000000-) Washer, Flat, 0.25, Ss	6
▲	9	32982	(00000000-) Washer, Lock, Int, 0.25	2
▲	10	55248	(00000000-) Mount, Cable Tie	1
▲	11	1017754	(00000000-) Panel Wldt, Cntrl	1
▲	12	1017880	(00000000-)● Seal, Strip, Adh	1
▲	13	06922	(00000000-) Screw, Pan, M3 X 0.50 X 20, 4.8	4
	14	09740	(00000000-) Screw, Hex, M8 X 1.25 X 20, Ss	1
	15	01685	(00000000-) Washer, Flat, 0.31, Ss	1
	16	1017812	(00000000-) Cover, Panl, Ele	1
	17	76426	(00000000-) Washer, Sealing, 0.28b 0.75d Ss, Neo	6
	18	24199	(00000000-) Screw, Hex, M5 X 0.8 X 16, Ss	6
	19	1044984	(00000000-) Harness, Main [R14]	1
	20	1019083	(00000000-)● Seal, Cut	1
	21	41141	(00000000-) Washer, Lock, Int-Ext, 0.31	1
	22	1016865	(00000000-)● Cable, Ribbon, 90.6l	1

▽ ASSEMBLY

▲ INCLUDED IN ASSEMBLY

● RECOMMENDED STOCK ITEMS

ELECTRICAL GROUP

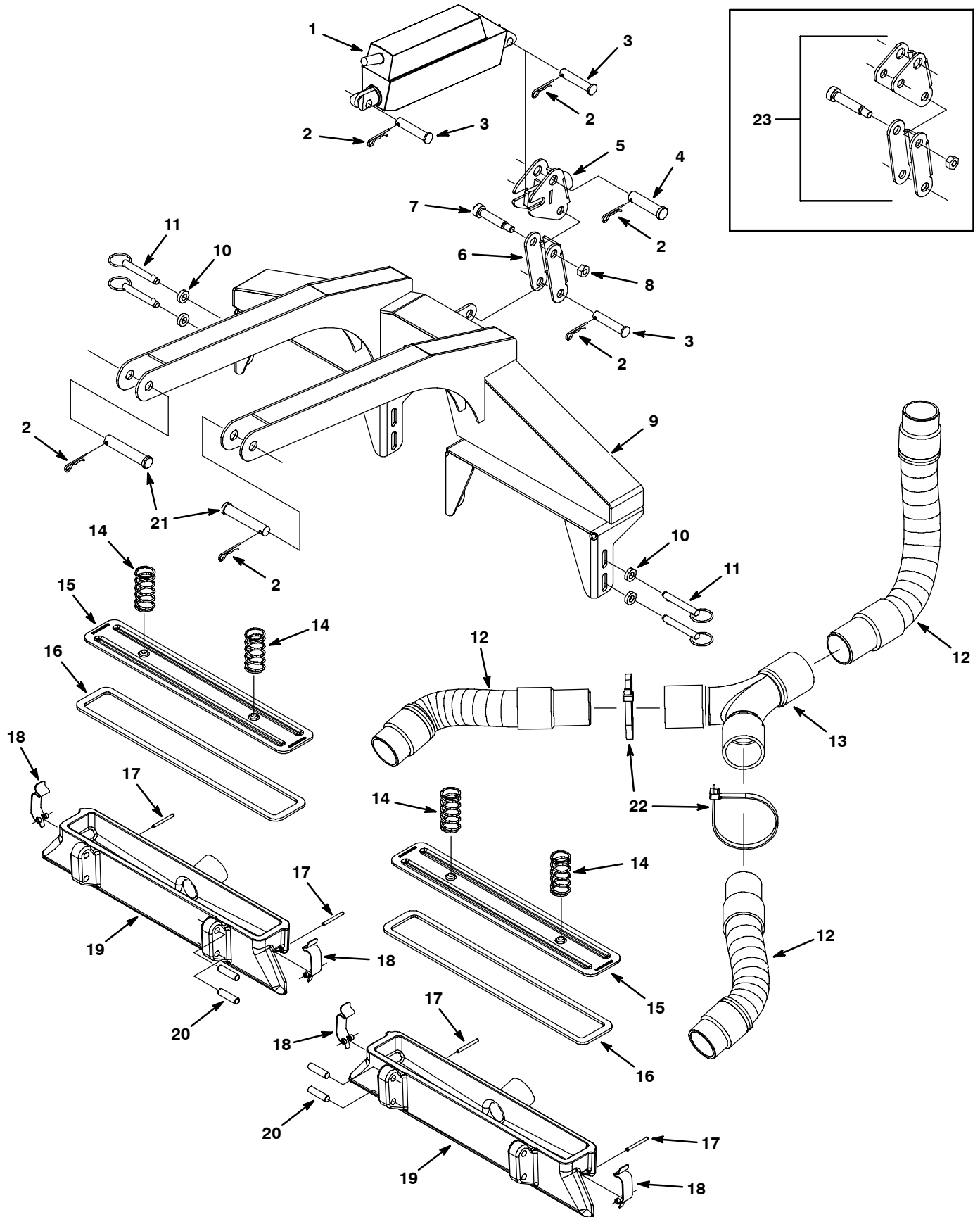


ELECTRICAL GROUP

Ref.	Part No.	Serial Number	Description	Qty.
1	391915	(00000000-)● Harness, Chrgr [T7]	1
2	75939	(00000000-) Nut, Hex, Lock, #06-32, NI	2
3	19064	(00000000-) Washer, Flat, #06	2
4	383722	(00000000-)● Circuitbreaker, 15.0a	1
5	383720	(00000000-)● Circuitbreaker, 05.0a	1
6	09146	(00000000-) Screw, Pan, M3 X 0.50 X 12, 4.8	4
7	377433	(00000000-)● Gauge, Hourmeter, 12-60vdc, Analog [10k]	1
8	222683	(00000000-)● Gasket, Hourmeter	1
9	1035394	(00000000-) Washer, Flat, 0.17b 0.38d .04, Ss	2
10	579211	(00000000-) Nut, Hex, Lock, M3 X 0.50, Ss	2
11	54345	(00000000-) Grommet, Rbr, 1.62id, F/1.9h, .13 Matl	1
12	222290	(00000000-)● Ele, Plug	2
13	1021531	(00000000-) Support Wldt, Actuator	1
14	25005	(00000000-) Screw, Pan, #06-32 X 1.00, G1	2
15	09740	(00000000-) Screw, Hex, M8 X 1.25 X 20, Ss	5
16	1017218	(00000000-) Washer, Flat, 0.32b 1.00d .12, Ss	5
17	58670	(00000000-) Screw, Hex, .25-20 X 0.50, NI	2
18	32982	(00000000-) Washer, Lock, Int, 0.25	4
19	32490	(00000000-) Washer, Flat, 0.25, Std	11
20	08713	(00000000-) Nut, Hex, Lock, M8 X 1.25, NI, Ss	1
21	69234	(00000000-) Clamp, Cable, Stl, 1.00d X 0.75w, 1hole	1
22	1020168	(00000000-)● Molding, Afmkt, Trim, Pvc, .08 .11, 01ft	1
23	76062	(00000000-)● Stand-Off, Wir, M6, Insulator, Panel	2
24	1017807	(00000000-) Rod, Thrd, Full, .25-20 01.0l	2
25	391916	(00000000-)● Harness, Power [T7]	1
26	32520	(00000000-) Nut, Hex, Jam, .25-20	2
27	20170	(00000000-) Nut, Hex, Jam, .31-24	2
28	32984	(00000000-) Washer, Lock, Int, 0.31	2
29	86379	(00000000-)● Fuse, 100a 125volt 0.88 X 3.2l	1
30	02424	(00000000-)● Relay, 24vdc, 100a, No [White]	1
31	01684	(00000000-) Washer, Flat, 0.25, Ss	2
32	08712	(00000000-) Nut, Hex, Lock, M6 X 1.00, Ss, NI	2
33	07514	(00000000-) Washer, Lock, Int, #10, Ss	2
34	01689	(00000000-) Nut, Hex, Std, #10-32, Ss	2
35	579211	(00000000-) Nut, Hex, Lock, M3 X 0.50, Ss	2
36	601359	(00000000-) Plate, Backing, Switch	1
37	600437	(00000000-)● Switch, Snap, 16a, Rlr	1

● RECOMMENDED STOCK ITEMS

VACUUM FLOOR TOOL GROUP



VACUUM FLOOR TOOL GROUP

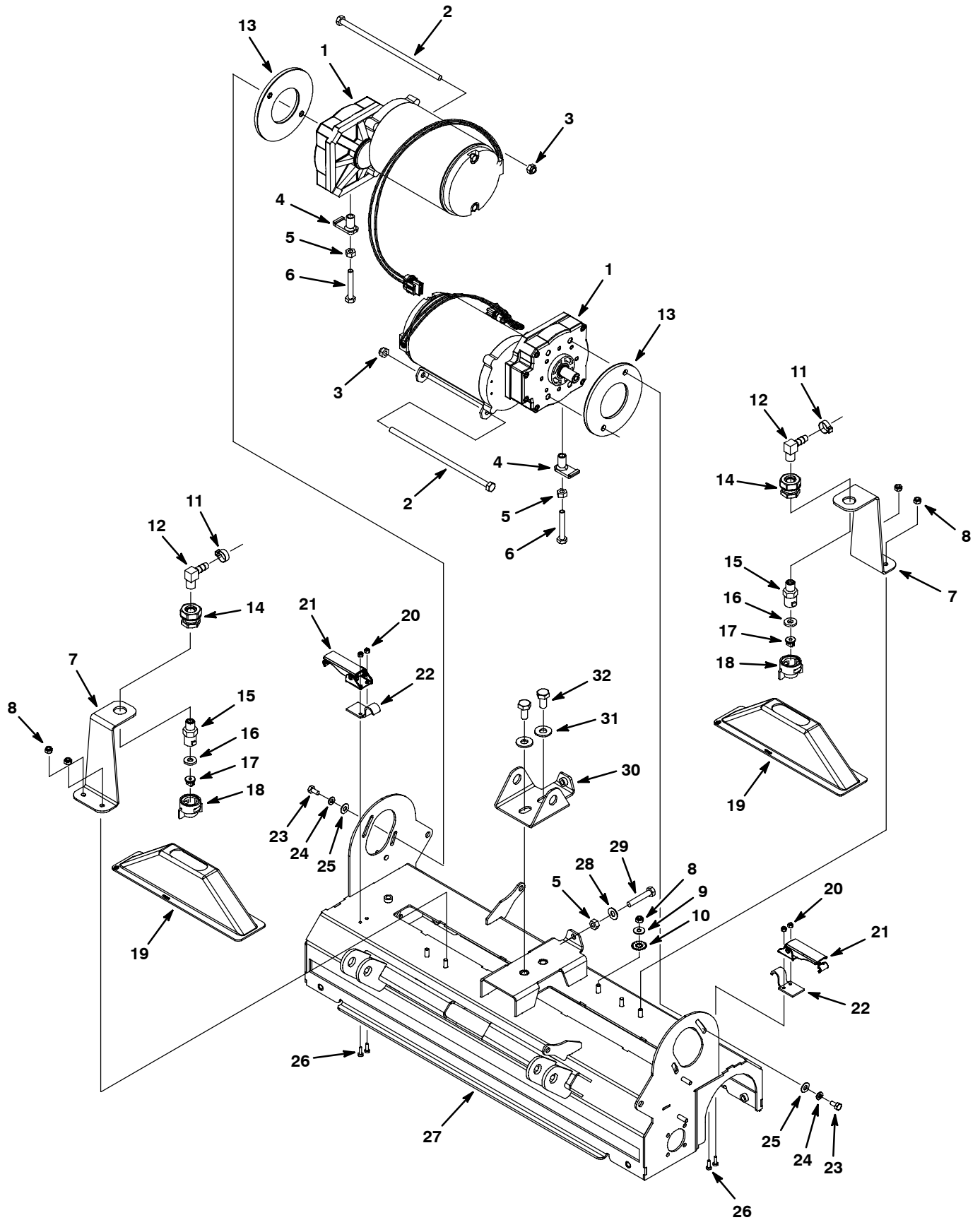
Ref.	Part No.	Serial Number	Description	Qty.	
1	1009268	(00000000-)● Actuator, 12vdc, 40mm Strk [750n]	1	
2	86866	(00000000-) Pin, Cotter, Hair, 0.38d .072 Wir	6	
3	94877	(00000000-) Pin, Clevis, 10mmd X 050mml	3	
4	51534	(00000000-) Pin, Clevis, 0.50d X 2.00l	1	
▽	5	1043939	(10419189-) Link Assy, Bellcrank, W/ Spring Relief	1
▲	6	1043604	(10419189-) Link, Floor Tool	1
▲	7	1030114	(00000000-) Screw, Shld, 10mmd X 40mml	1
▲	8	08713	(00000000-) Nut, Hex, Lock, M8 X 1.25, NI, Ss	1
9	1023886	(00000000-) Wldt, Frame, Split Lopro Floor Tool	1	
10	230363	(00000000-) Spacer, 0.33b 0.62d 0.16l, PI	4	
11	1015989	(00000000-) Pin, Hitch, .312d X 2.00l	4	
12	1026472	(00000000-)● Hose, Vacuum, 1.50id X 012.2l, Blk	3	
13	1024285	(00000000-) Fitting, Hose, 1.51d [Wye]	1	
14	1025892	(00000000-) Spring, Cmpr, 24.64mm X 2.16w X 50.80l	4	
15	1022912	(00000000-) Plate, Cover, Carpet Tool [Lo-Pro]	2	
16	1025430	(00000000-)● Gasket, Cover, Floor Tool	2	
17	1029957	(00000000-) Pin, Roll, .133d X 1.38l, Ss	4	
18	1027993	(00000000-) Clip, Cover, Vacuum	4	
19	1025564	(00000000-) Tool, Floor, Lo-Profile Machined	2	
20	1025455	(00000000-) Pin, Dowel, 08mmd	4	
21	601471	(00000000-) Pin, Clevis, 0.50d X 2.50l	2	
22	44961	(00000000-) Tie, Cable, Nyl, 14.5l .30w 4.0 Max D	2	
23	1043939	(00000000-10419188) Link Assy, Bellcrank, W/ Spring Relief	1	

▽ ASSEMBLY

▲ INCLUDED IN ASSEMBLY

● RECOMMENDED STOCK ITEMS

SCRUB HEAD GROUP



SCRUB HEAD GROUP

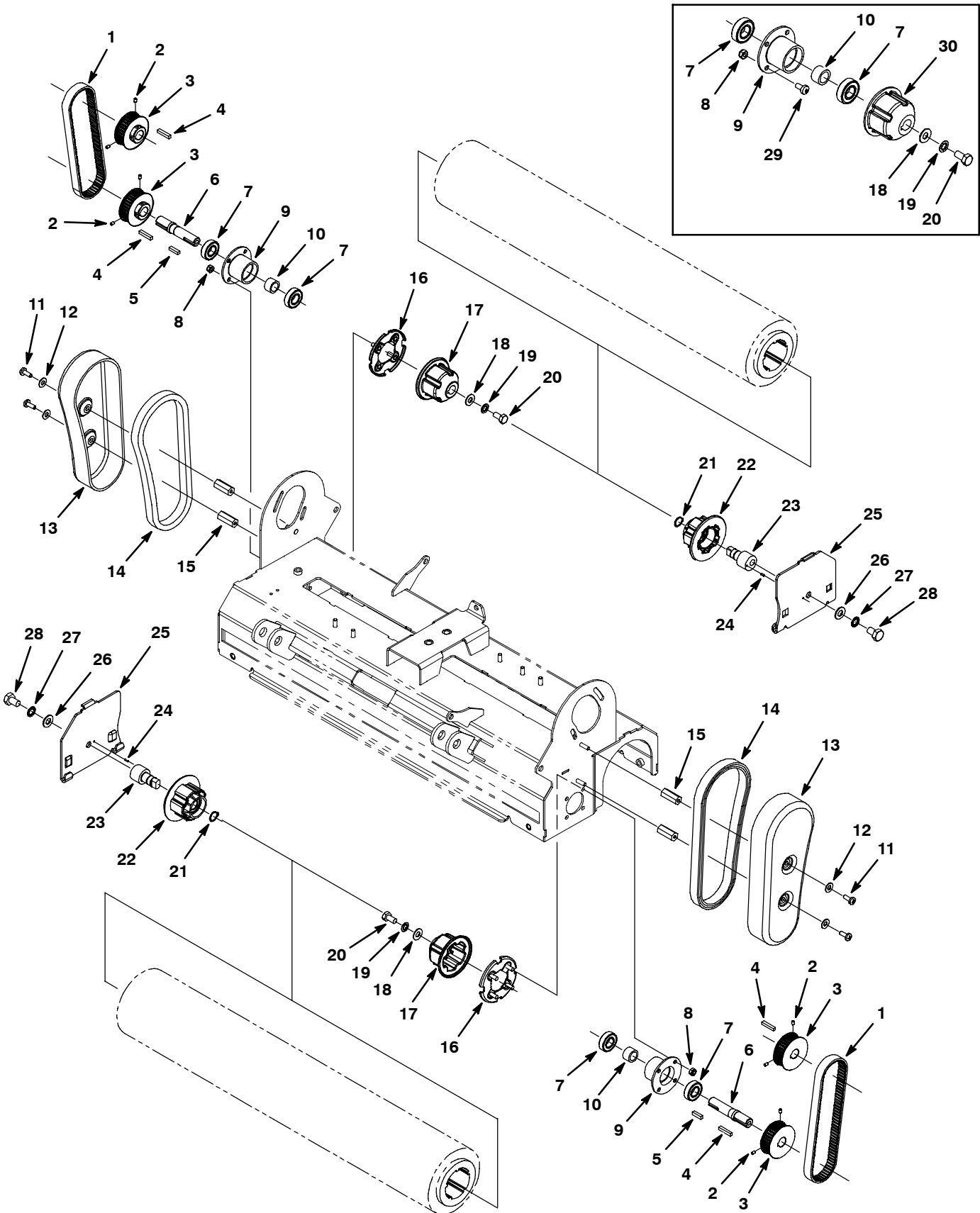
Ref.	Part No.	Serial Number	Description	Qty.
▽	1	1023355	(00000000-)● Motor, Ele, 24vdc 0.50hp 0270rpm 20.0a	2
▲	1	1034117	(00000000-)● Brush, Carbon, Motor, Ele	2
	2	1019942	(00000000-) Screw, Hex, M8 X 1.25 X 210, 8.8	2
	3	08713	(00000000-) Nut, Hex, Lock, M8 X 1.25, NI, Ss	2
	4	1024008	(00000000-) Bracket, Lift, Motor Mount	2
	5	07786	(00000000-) Nut, Hex, Std, M8 X 1.25, Ss	3
	6	578717	(00000000-) Screw, Hex, M8 X 1.25 X 50, Ss	2
	7	1021224	(00000000-) Bracket, Mounting, Spray Nozzle	2
	8	08712	(00000000-) Nut, Hex, Lock, M6 X 1.00, Ss, NI	5
	9	01684	(00000000-) Washer, Flat, 0.25, Ss	1
	10	41141	(00000000-) Washer, Lock, Int-Ext, 0.31	1
	11	140301	(00000000-) Clamp, Hose, Ear, 0.62d	2
	12	150419	(00000000-) Fitting, Brs, E90, Bm06/Pm04 [Taped]	2
	13	1033039	(00000000-)● Gasket, Motor, Brush, W/ Hdpe	2
	14	78122	(00000000-)● Fitting, Brs, Str, Pf04/Pf04, Bh	2
	15	575281000	(00000000-)● Fitting, Spray, Body [Quick-Jet]	2
	16	575276000	(00000000-)● Fitting, Gasket [Quick-Jet]	2
	17	575283000	(00000000-)● Fitting, Brs, Tip [11002, T-Jet]	2
	18	575282000	(00000000-)● Fitting, Cap [Q-Jet]	2
	19	1021642	(00000000-) Shroud, Splash	2
	20	33932	(00000000-) Nut, Hex, Lock, M4 X 0.70, NI, Ss	4
	21	1006086	(00000000-) Latch [Over-Center]	2
	22	1017780	(00000000-) Clip, Hanger, Hose, .17d, 2hole	2
	23	15678	(00000000-) Screw, Hex, M6 X 1.0 X 16, Ss	4
	24	07515	(00000000-) Washer, Lock, Int, 0.25, Ss	4
	25	140000	(00000000-) Washer, Flat, 0.28b 0.62d .04, Ss	4
	26	579237	(00000000-) Screw, Pan, M4 X 0.7 X 12, Phl, Ss	4
	27	1020783	(00000000-) Housing Wldt	1
	28	140027	(00000000-) Washer, Flat, 0.35b 0.75d .04, Ss	1
	29	222505	(00000000-) Screw, Hex, M8 X 1.25 X 45, Ss	1
	30	1024184	(00000000-) Bracket, Lift [Manual Head Leveling]	1
	31	01686	(00000000-) Washer, Flat, 0.44b 1.00d .08, Ss	2
	32	09291	(00000000-) Screw, Hex, M10 X 1.5 X 20, Ss	2

▽ ASSEMBLY

▲ INCLUDED IN ASSEMBLY

● RECOMMENDED STOCK ITEMS

SCRUB HEAD GROUP - CONT'D



SCRUB HEAD GROUP - CONT'D

Ref.	Part No.	Serial Number	Description	Qty.
1	377500	(00000000-)● Belt, Synchronous, 05mm 500l[05p,Plychn]	2
2	222818	(00000000-) Screw, Set, #08-32 X 0.25, NI	8
3	1022407	(00000000-) Sprocket, Timing, 34tooth	4
4	00912	(00000000-) Key, Sq, 0.19 X 0.19, 1.00l	4
5	00911	(00000000-) Key, Sq, 0.19 X 0.19, 0.75l	2
6	1023435	(00000000-) Shaft, Drive	2
7	41360	(00000000-)● Bearing, Ball, 0.59b 1.26d 0.35w[2seal]	4
8	08712	(00000000-) Nut, Hex, Lock, M6 X 1.00, Ss, NI	8
9	1001792	(00000000-) Housing, Brg	2
10	1002077	(00000000-) Tube, 0.59id 0.81od 00.5l	2
11	367770	(00000000-) Screw, Pan, M6 X 1.0 X 16, Ss	4
12	140000	(00000000-) Washer, Flat, 0.28b 0.62d .04, Ss	8
13	1022557	(00000000-) Cover, Belt	2
14	1008675	(00000000-)● Gasket, Edge, Foam, 24.00l [Fr]	2
15	1002078	(00000000-) Spacer, 0.50hex X 1.25l, M6 Thread Thru	4
16	1037864	(10423748-) Guard, Thread	2
17	1037873	(10423748-) Plug, Drive, Brush, Casting	2
18	140027	(00000000-) Washer, Flat, 0.35b 0.75d .04, Ss	2
19	43952	(00000000-) Washer, Lock, Int, 0.31, Ss	2
20	15675	(00000000-) Screw, Hex, M8 X 1.25 X 16, Ss	2
21	01516	(00000000-) Ring, Retaining, Ext, 0.59d, Basic	2
22	379202	(00000000-) Plug, Idler, Brush [Sgl Brg]	2
23	222177	(00000000-) Shaft, Plug, Idler	2
24	222184	(00000000-) Pin, Roll, .094d X 0.25l, .094/.097	2
25	1024808	(00000000-) Door, Rlr	2
26	32485	(00000000-) Washer, Flat, 0.38, Sae	2
27	140022	(00000000-) Washer, Int, .38, Ss	2
28	140276	(00000000-) Screw, Hex, M10 X 1.5 X 16, Ss	2
29	363503	(00000000-10423747) Screw, Pan, M6 X 1.0 X 12, Ss	8
30	9006405	(00000000-10423747) R14 Drive Plug And Thread Guard	2

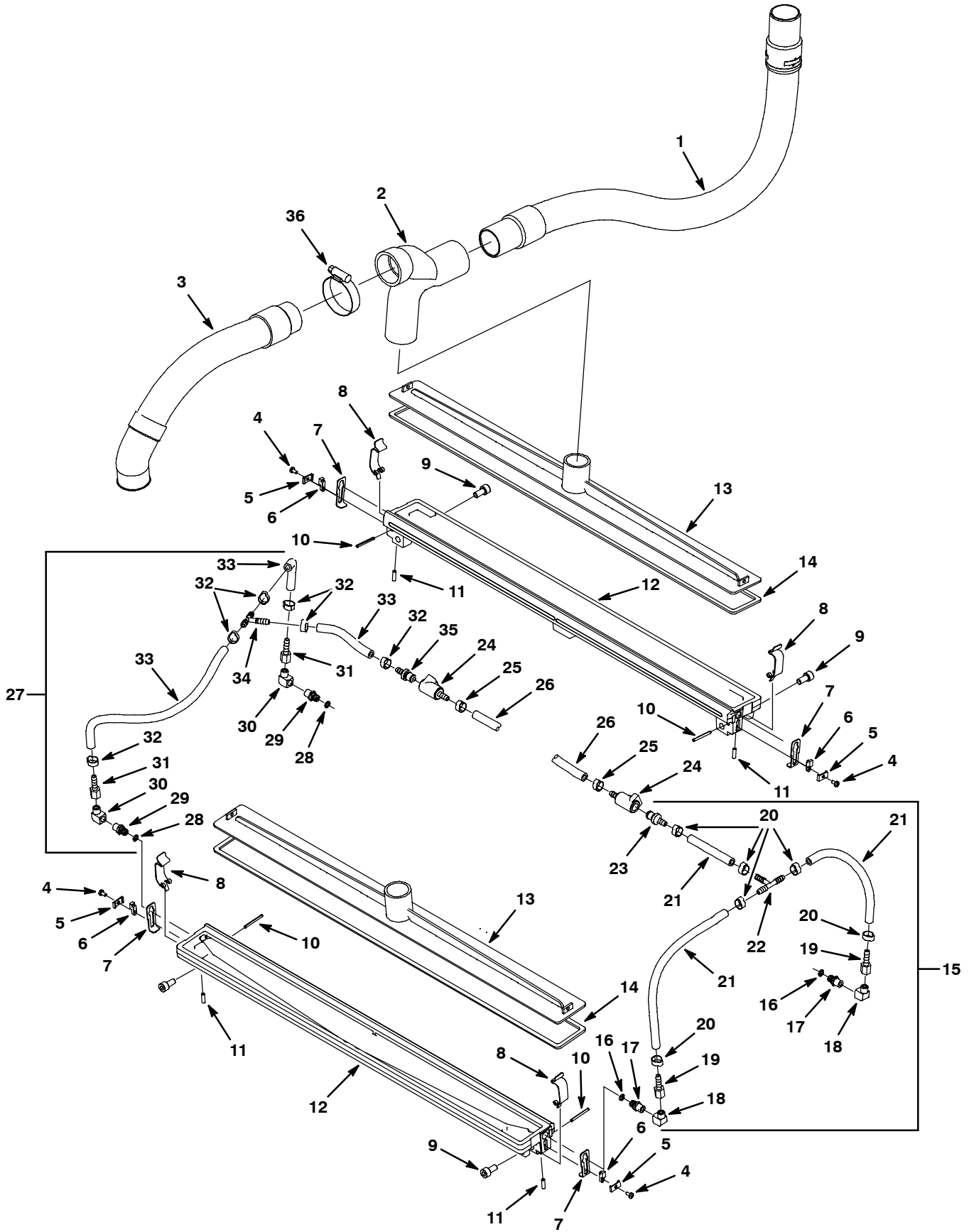
● RECOMMENDED STOCK ITEMS

SCRUB HEAD LIFT GROUP

Ref.	Part No.	Serial Number	Description	Qty.
1	86866	(00000000-) Pin, Cotter, Hair, 0.38d .072 Wir	1
2	1009356	(00000000-) Pin, Clevis, 10mmd X 040mml	1
3	1051659	(00000000-)● Actuator, 24vdc, 04.5strk, 600lb	1
4	1013281	(00000000-) Sleeve, P/M, 0.41b 0.73d 1.3l [430 Ss]	4
5	1013278	(00000000-) Plate, Arm, Cntr, Lift, Scb Head	2
6	363087	(00000000-) Bushing, Flng, 0.44b 1.25d 0.25l	2
7	08714	(00000000-) Nut, Hex, Lock, M10 X 1.5, NI, Ss	2
8	57048	(00000000-) Washer, Flat, 0.53b 2.13d .11, Stl, Pl	2
9	02942	(00000000-) Pin, Cotter, Hair, 0.62d .120 Wir	6
10	01686	(00000000-) Washer, Flat, 0.44b 1.00d .08, Ss	2
11	1010401	(00000000-) Pin, Clevis, 16mmd X 150mml	1
12	1015413	(00000000-) Spring, Lift, Head, Scb	1
13	09746	(00000000-) Screw, Hex, M10 X 1.5 X 90, Ss	1
14	05631	(00000000-) Screw, Hex, M10 X 1.5 X 100, Ss	1
15	1013356	(00000000-) Pin, Clevis, 12mmd X 090mml	1
16	222210	(00000000-) Pin, Clevis, 0.62d X 2.12l	4
17	222027	(00000000-) Arm, Lift, Head [5700]	2

● RECOMMENDED STOCK ITEMS

VACUUM SHOE AND SOLUTION FLUSH LINE GROUP



VACUUM SHOE AND SOLUTION FLUSH LINE GROUP

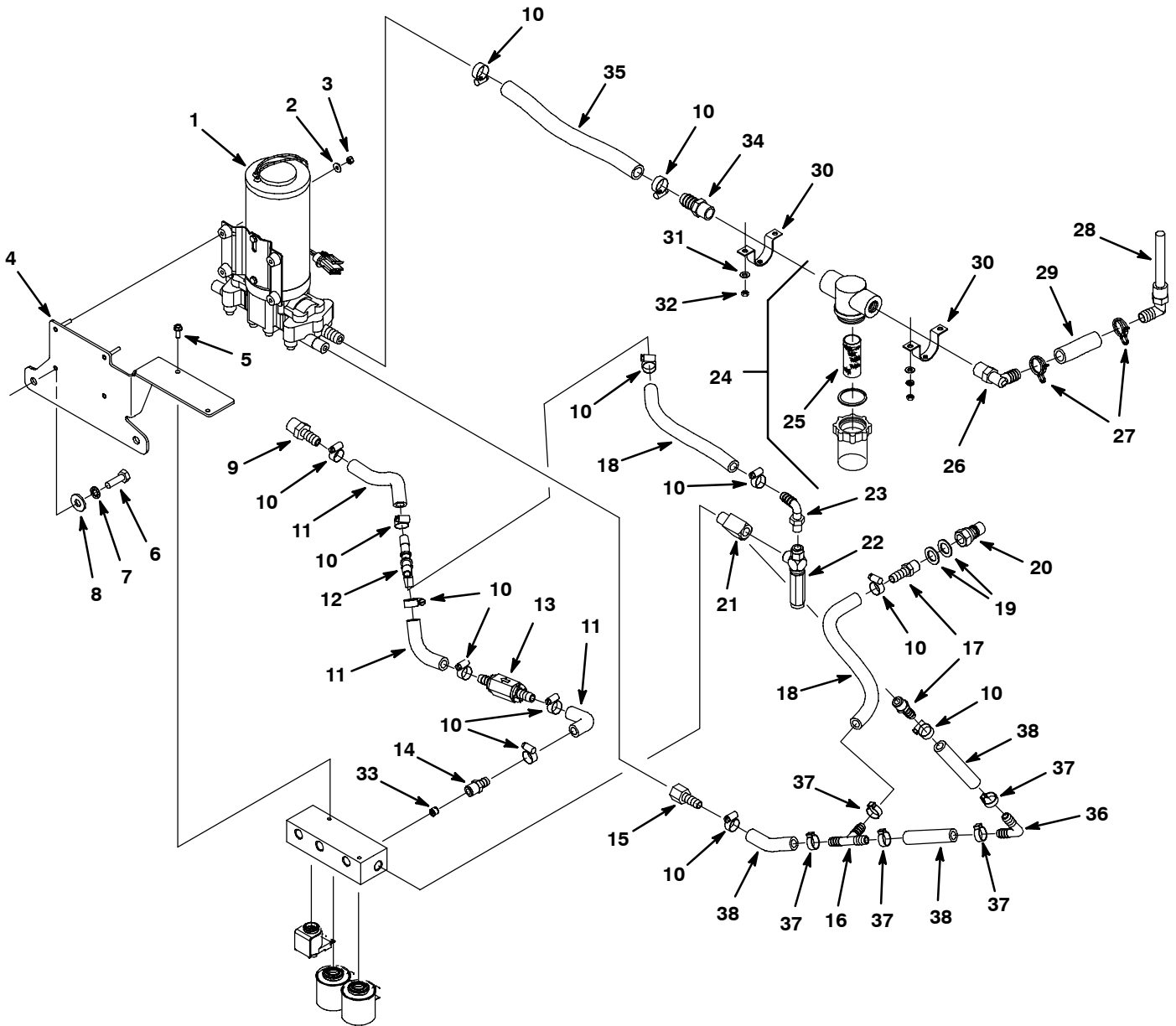
Ref.	Part No.	Serial Number	Description	Qty.	
1	1024248	(00000000-)● Hose, Vacuum, 1.50id X 029.0l, 2cuff[Rs]	1	
2	1025842	(00000000-) Fitting, Pvc, Y, 1.50 Vacuum Hose]	1	
3	1025779	(00000000-)● Hose, Vacuum, 1.50id X 017.0l, 2cuff	1	
4	49697	(00000000-) Screw, Pan, M4 X 0.7 X 10, Ss	4	
5	1017044	(00000000-) Retainer, Latch	4	
6	1017855	(00000000-) Key, Timing, Latch	4	
7	1017840	(00000000-) Latch, Retaining, Nozzle	4	
8	1027993	(00000000-) Clip, Cover, Vacuum	4	
9	49609	(00000000-) Screw, Soc, M8 X 1.25 X 16, 12.9	4	
10	1029957	(00000000-) Pin, Roll, .133d X 1.38l, Ss	4	
11	1017871	(00000000-) Spring, Cmpr, 0.2od .020wir 00.8l	4	
12	1023890	(00000000-) Tool, Vacuum, Str Rlr [Finish Mach'D]	2	
13	1023800	(00000000-) Cover, Tool, Str Roll Vacuum 700mm	2	
14	1021110	(00000000-)● Gasket, Cover, Str Roll Vacuum Tool	2	
▽	15	9002902	(00000000-) Hose Assy, Lh, Afmkt [Gator]	1
▲	16	1017902	(00000000-)● Seal, Org, .070 X 00.24id, 75d [Viton]	2
▲	17	1017841	(00000000-)● Fitting, Brs, Tip, Spcl [2505 H1/8vv]	2
▲	18	150407	(00000000-) Fitting, Brs, E90, Pf02/Pm02 [Street]	2
▲	19	150520	(00000000-) Fitting, Brs, Str, Bm04/Pf02	2
▲	20	140325	(00000000-) Clamp, Hose, Ear, 0.50d, Ss	6
▲	21	9002916	(00000000-) Hose, Pvc, Gray, 0.25id 0.5od, 3l (160204)	1
▲	22	150713	(00000000-) Fitting, Plstc, Tee, Bm04/Bm04/Bm04	1
▲	23	1017317	(00000000-) Fitting, Plstc, Str, Bm04, Cplg, Mal	1
	24	1002898	(00000000-) Fitting, Plstc, Str, Bm04, Cplg, Fem	2
	25	140325	(00000000-) Clamp, Hose, Ear, 0.50d, Ss	2
	26	9002916	(00000000-) Hose, Pvc, Gray, 0.25id 0.5od, 3l (160204)	1
▽	27	9002901	(00000000-) Hose Assy, Rh, Afmkt [Gator]	1
▲	28	1017902	(00000000-)● Seal, Org, .070 X 00.24id, 75d [Viton]	2
▲	29	1017841	(00000000-) Fitting, Brs, Tip, Spcl [2505 H1/8vv]	2
▲	30	150407	(00000000-) Fitting, Brs, E90, Pf02/Pm02 [Street]	2
▲	31	150520	(00000000-) Fitting, Brs, Str, Bm04/Pf02	2
▲	32	140325	(00000000-) Clamp, Hose, Ear, 0.50d, Ss	6
▲	33	9002916	(00000000-) Hose, Pvc, Gray, 0.25id 0.5od, 3l (160204)	1
▲	34	150713	(00000000-)● Fitting, Plstc, Tee, Bm04/Bm04/Bm04	1
▲	35	1017317	(00000000-) Fitting, Plstc, Str, Bm04, Cplg, Mal	1
	36	11531	(00000000-) Clamp, Hose, Wormdrive, 1.06-2.00d, .56w	1

▽ ASSEMBLY

▲ INCLUDED IN ASSEMBLY

● RECOMMENDED STOCK ITEMS

SOLUTION GROUP



SOLUTION GROUP

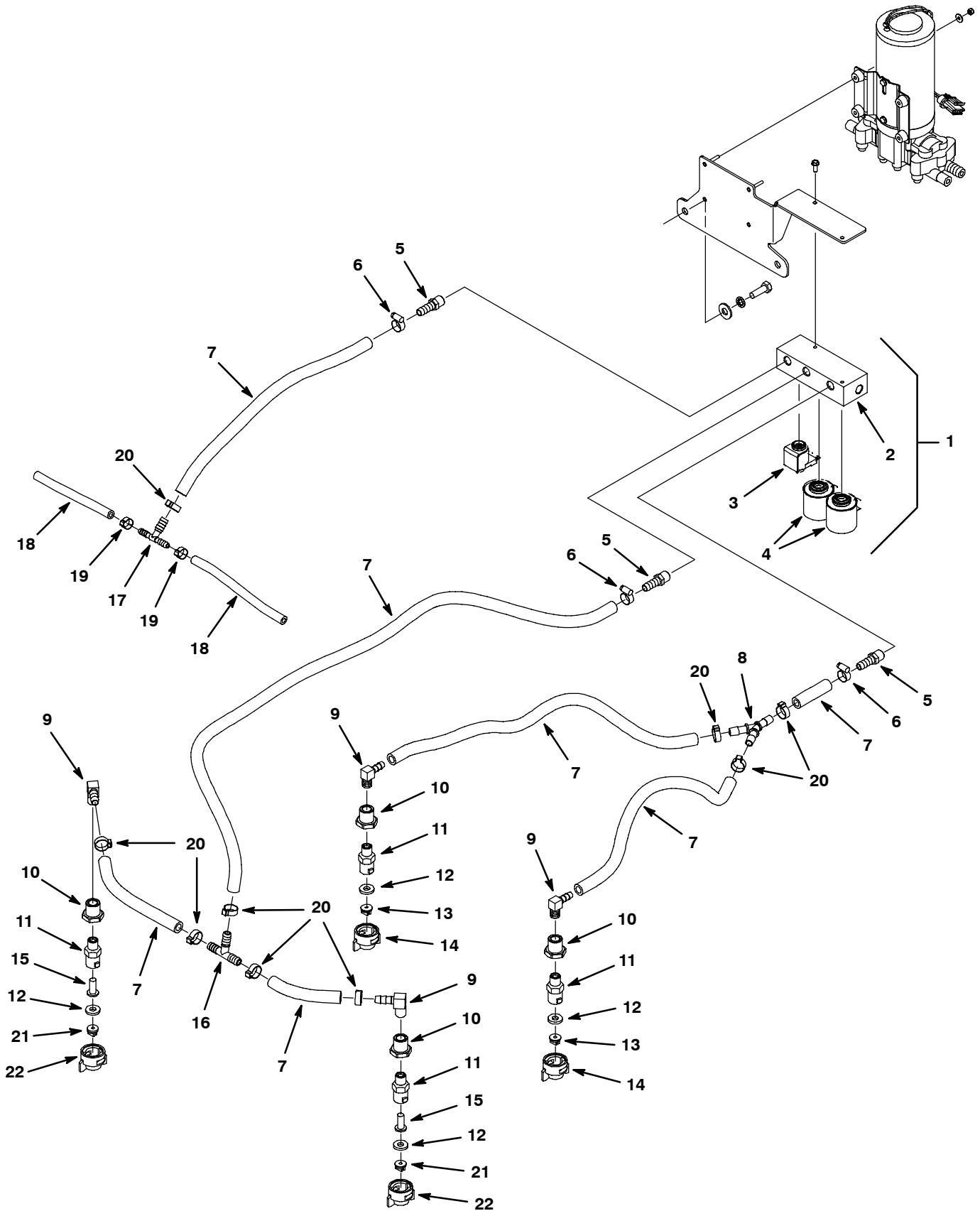
Ref.	Part No.	Serial Number	Description	Qty.
▽	1	1022343	(00000000-) ● Pump, Water, 24vdc, 2.0gpm 250psi	1
▲	1	1034052	(00000000-) ● Motor, 24vdc, Pump Afmkt	1
▲	1	1034051	(00000000-) ● Bearing, Cam, 100in Offset Afmkt	1
▲	1	1034050	(00000000-) ● Head, Pump Afmkt	1
▲	1	9002989	(00000000-) ● Valve & O-Ring Kit, Afmkt	1
▲	1	9002988	(00000000-) ● Plunger & Seal Kit, Afmkt	1
	2	578186000	(00000000-) Washer, Flat, M4, PI	4
	3	33932	(00000000-) Nut, Hex, Lock, M4 X 0.70, NI, Ss	4
	4	1024596	(00000000-) Bracket, Mount, Manifold / Pump	1
	5	140751	(00000000-) Screw, Hex, #10-32 X 0.50, PI	2
	6	09740	(00000000-) Screw, Hex, M8 X 1.25 X 20, Ss	2
	7	43952	(00000000-) Washer, Lock, Int, 0.31, Ss	2
	8	01685	(00000000-) Washer, Flat, 0.31, Ss	2
	9	61118	(00000000-) Fitting, Plstc, Str, Bm06/Pm06, Nyl	1
	10	54333	(00000000-) Clamp, Hose, Wormdrive, 0.31-0.88d, .31w	13
	11	9002921	(00000000-) Hose, Pvc, Wir, 0.38id 0.62 Od, Clr, 36l (611261)	1
	12	1017255	(00000000-) Fitting, Plstc, Y, Bm06/Bm06/Bm06, Nyl	1
	13	210044	(00000000-) ● Valve, Check, 0001psi Bm06/Bm06	1
	14	150016	(00000000-) Fitting, Brs, Str, Bm06/Pf02, Spcl	1
	15	150511	(00000000-) Fitting, Brs, Str, Bm06/Pf04	1
	16	160310	(00000000-) Fitting, Plstc, Tee, Bm06/Bm06/Bm06	1
	17	150516	(00000000-) Fitting, Brs, Str, Bm06/Pm05	2
	18	9002920	(00000000-) Hose, Pvc, Brd, 0.38id 0.62 Od, 36l (160207)	1
	19	140058	(00000000-) Washer, Flat, 0.54b 0.88d .06, Ss [Wand]	2
	20	150933	(00000000-) Fitting, Brs, Qdc, Pm04 [Ser60]	1
	21	150709	(00000000-) Fitting, Brs, Tee, Pm04/Pf04/Pf04, Run	1
	22	210211	(00000000-) ● Valve, Water, Relief, Press, 050-450psi	1
	23	1005564	(00000000-) Fitting, Plstc, E90, Bm06/Pm02, Nyl	1
▽	24	1007428	(00000000-) ● Filter, Screen, 080 Mesh, Ss Bowl, Pf06	1
▲	25	180632	(00000000-) ● Filter, Screen, In-Line Strainer	1
	26	1017532	(00000000-) Fitting, Plstc, E90, Bm08/Pm06	1
	27	607776	(00000000-) Clamp, Hose, Wir, .73 - .77, Silver	2
	28	1006924	(00000000-) ● Filter, Soltn, W/ E90 Ftg	1
	29	9002922	(00000000-) Hose, Pvc, Clr, 0.50id 0.75od, 36l	1
	30	605056	(00000000-) Bracket, Mtg, Fltr	2
	31	140011	(00000000-) Washer, Flat, 0.21b 0.45d .03, Ss	2
	32	09739	(00000000-) Nut, Hex, Lock, M5 X 0.80, NI, Ss	2
	33	1013823	(00000000-) ● Plug, Pipe, Ss 1/8npt W/ Hole	1
	34	64743	(00000000-) Fitting, Plstc, Str, Bm08/Pm06	1
	35	9002995	(00000000-) Hose, Pvc, Wir, 0.50id 0.75od, 36l Clr	1
	36	20951	(00000000-) Fitting, Plstc, E90, Bm06/Bm06	1
	37	140301	(00000000-) Clamp, Hose, Ear, 0.62d	5
	38	613482	(00000000-) Hose, Pvc, Brd, 0.38id 0.62od 12.0l, Gray (160207)	1

▽ ASSEMBLY

▲ INCLUDED IN ASSEMBLY

● RECOMMENDED STOCK ITEMS

SOLUTION GROUP - CONT'D



SOLUTION GROUP - CONT'D

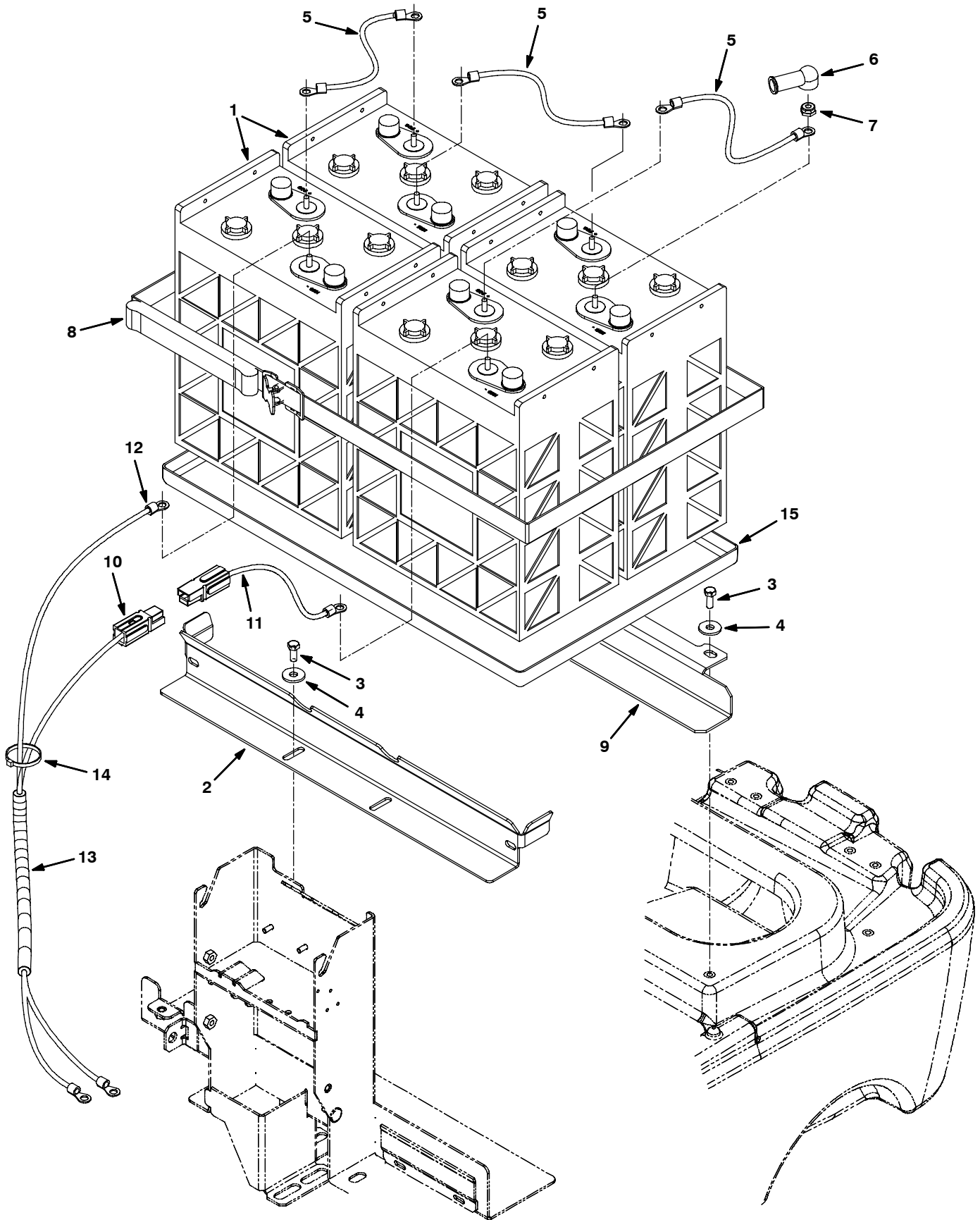
	Ref.	Part No.	Serial Number	Description	Qty.
▽	1	1023693	(00000000-)● Valve, Solenoid 24v, 3 Station	1
▲	2	1034116	(00000000-) Block, Manifold Afmkt	1
▲▽	3	1034114	(00000000-)● Valve, Solenoid Series 3, 24v, Afmkt	1
▲▲	3	1034115	(00000000-)● Seal, Org, Solenoid, Series 3, Afmkt	1
▲▽	4	1034112	(00000000-)● Valve, Solenoid Series 6, 24v, Afmkt	2
▲▲	4	1034113	(00000000-)● Seal, Org, Solenoid, Series 6, Afmkt	2
	5	150516	(00000000-) Fitting, Brs, Str, Bm06/Pm05	3
	6	54333	(00000000-) Clamp, Hose, Wormdrive, 0.31-0.88d, .31w	4
	7	9002920	(00000000-) Hose, Pvc, Brd, 0.38id 0.62 Od, 36l	1
	8	1017255	(00000000-) Fitting, Plstc, Y, Bm06/Bm06/Bm06, Nyl	1
	9	150419	(00000000-) Fitting, Brs, E90, Bm06/Pm04 [Taped]	4
	10	78122	(00000000-) Fitting, Brs, Str, Pf04/Pf04, Bh	4
	11	575281000	(00000000-)● Fitting, Spray, Body [Quick-Jet]	4
	12	575276000	(00000000-)● Fitting, Gasket [Quick-Jet]	4
	13	575283000	(00000000-)● Fitting, Brs, Tip [11002, T-Jet]	2
	14	575282000	(00000000-)● Fitting, Cap [Q-Jet]	2
	15	575603	(00000000-)● Filter, Screen, 024 Mesh, Check Valve	2
	16	160310	(00000000-) Fitting, Plstc, Tee, Bm06/Bm06/Bm06	1
	17	1014441	(00000000-) Fitting, Plstc, Tee, Bm04/Bm04/Bm06, Br	1
	18	9002916	(00000000-) Hose, Pvc, Gray, 0.25id 0.5od, 3l	1
	19	140325	(00000000-) Clamp, Hose, Ear, 0.50d, Ss	2
	20	140301	(00000000-) Clamp, Hose, Ear, 0.62d	8
	21	1022378	(00000000-)● Fitting, Brs, Tip [11006e, Unijet]	2
	22	1022715	(00000000-)● Cap, White [Quick-Jet]	2

▽ ASSEMBLY

▲ INCLUDED IN ASSEMBLY

● RECOMMENDED STOCK ITEMS

BATTERY GROUP, 335 Ah

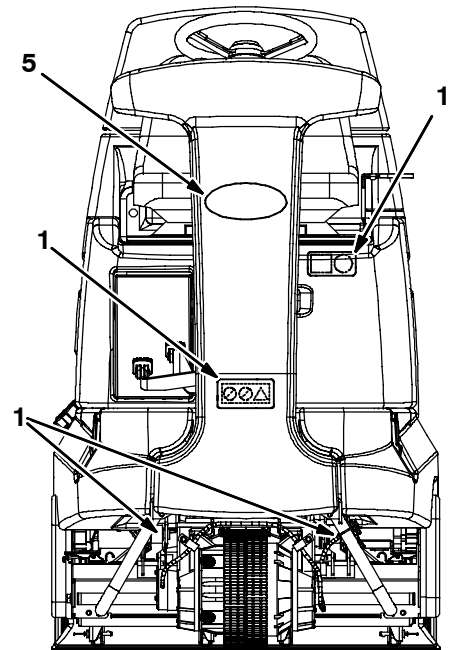
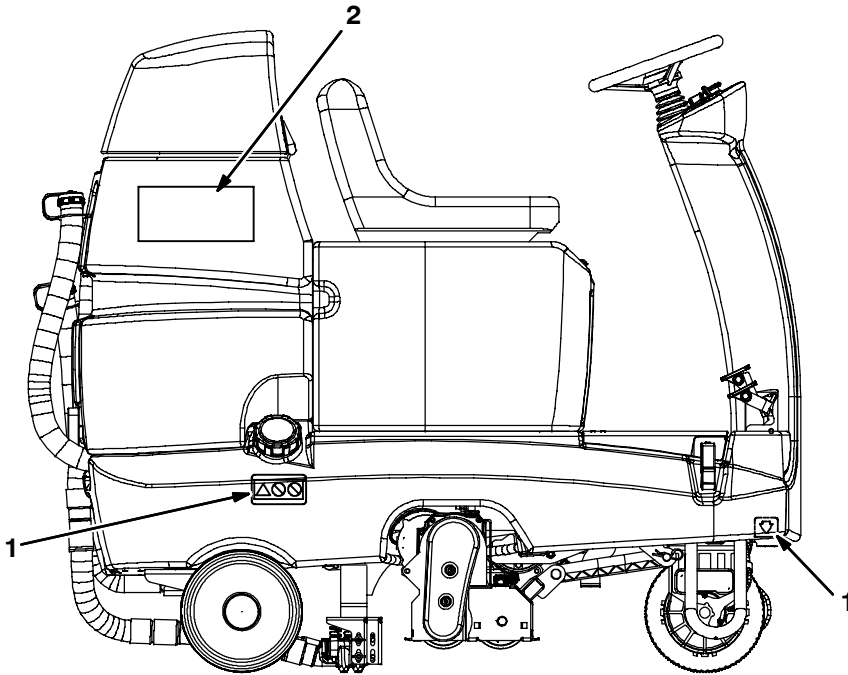
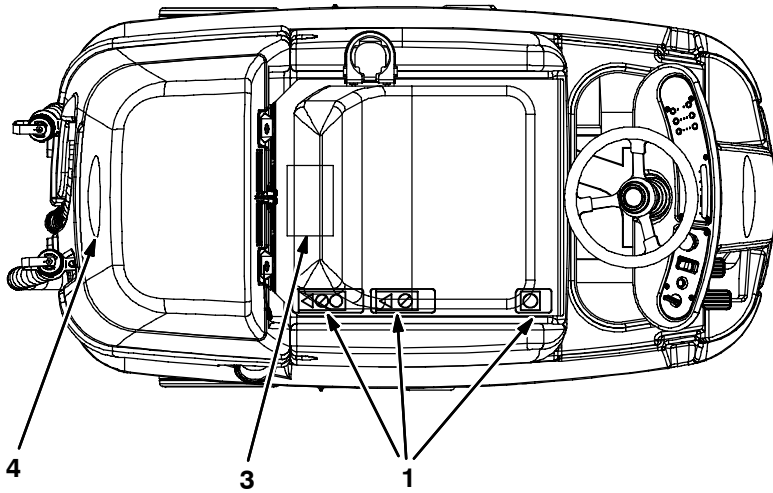


BATTERY GROUP, 335 Ah

Ref.	Part No.	Serial Number	Description	Qty.
1	222846	(00000000-)● Battery, Wet, 06vdc 0335ah	4
2	1015039	(00000000-) Bracket, Battery	1
3	15675	(00000000-) Screw, Hex, M8 X 1.25 X 16, Ss	4
4	1017218	(00000000-) Washer, Flat, 0.32b 1.00d .12, Ss	4
5	223356	(00000000-) Cable, 04ga 12.0l Blk .34ring /.34ring	3
6	611221	(00000000-)● Boot, Terminal, Battery, 25.4mm, Blk	8
7	87435	(00000000-) Nut, Hex, Flexlock, .31-18	8
8	222682	(00000000-)● Strap, Poly, Webbing 1.0 X 100.0	1
9	1010771	(00000000-) Angle, Sppt, Battery	1
10	397907	(00000000-) Cable, 04ga 30.0l Red .34ring / [Pp120]	1
11	397908	(00000000-) Cable, 04ga 08.0l Red .34ring / [Pp120]	1
12	223364	(00000000-) Cable, 04ga 18.0l Blk .34ring /.34ring	1
13	1020105	(00000000-) Sleeve, Afmkt, Nyl, #13, 01ft	1
14	49263	(00000000-) Tie, Cable, Nyl, 11.4l .19w 3.0 Max D	4
15	1025155	(00000000-)● Tray, Battery, 605x370x25	1

● RECOMMENDED STOCK ITEMS

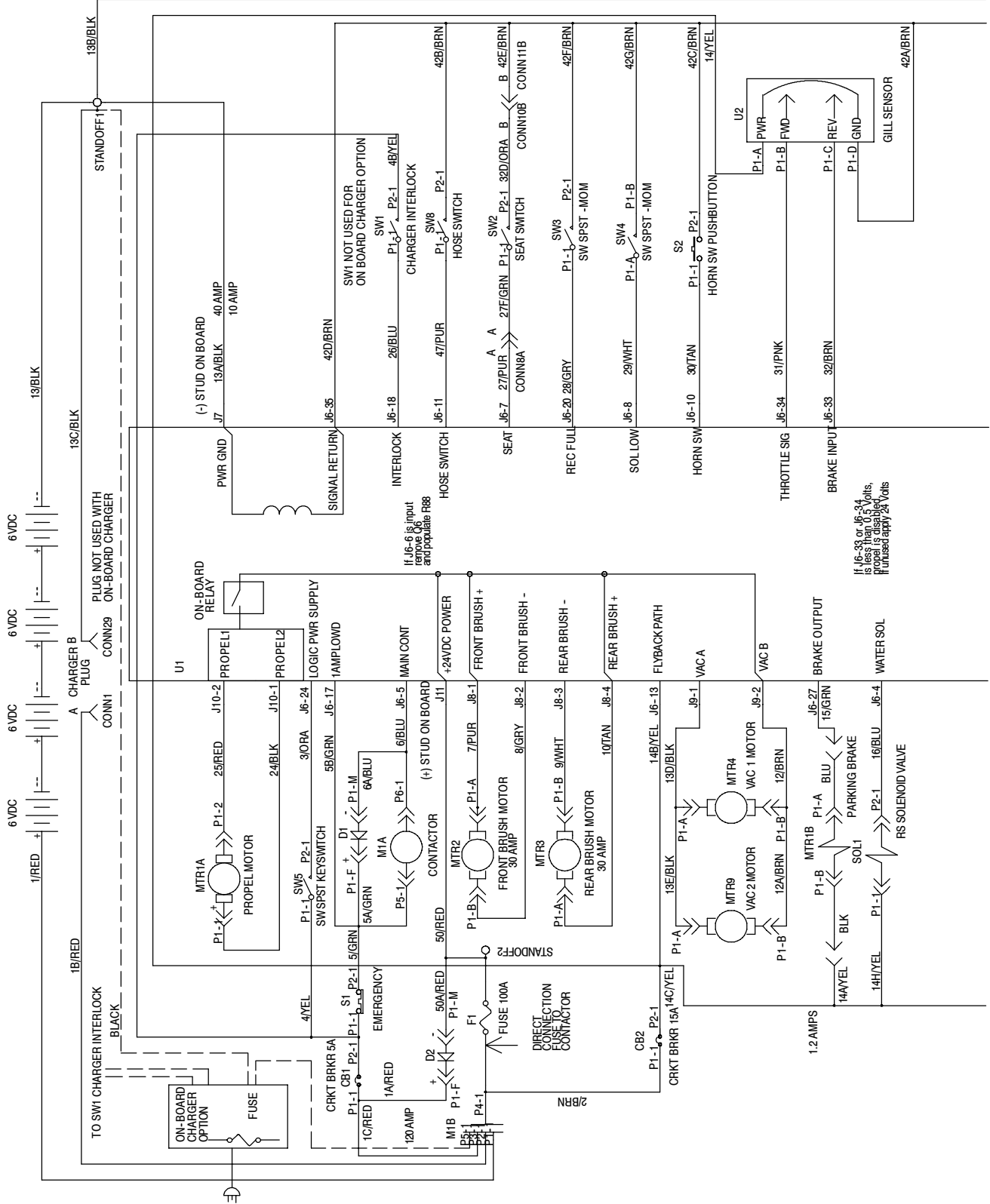
LABEL GROUP



Ref.	Part No.	Serial Number	Description	Qty.
1	1015167	(00000000-) Label Set, Info/Hzrd	1
2	1025592	(00000000-) Label, Model, Side, White [R14] (Teal)	2
2	1035025	(00000000-) Label, Model, Side, Gray [Aramark R14]	2
3	1026686	(00000000-) Label, Battery, Diagram 335 Ah	1
4	1047749	(00000000-) Label, Logo, 05.9l, Hg, [Tennant] (Gray)	1
5	1047748	(00000000-) Label, Logo, 05.9l, [Tennant] (Teal)	1

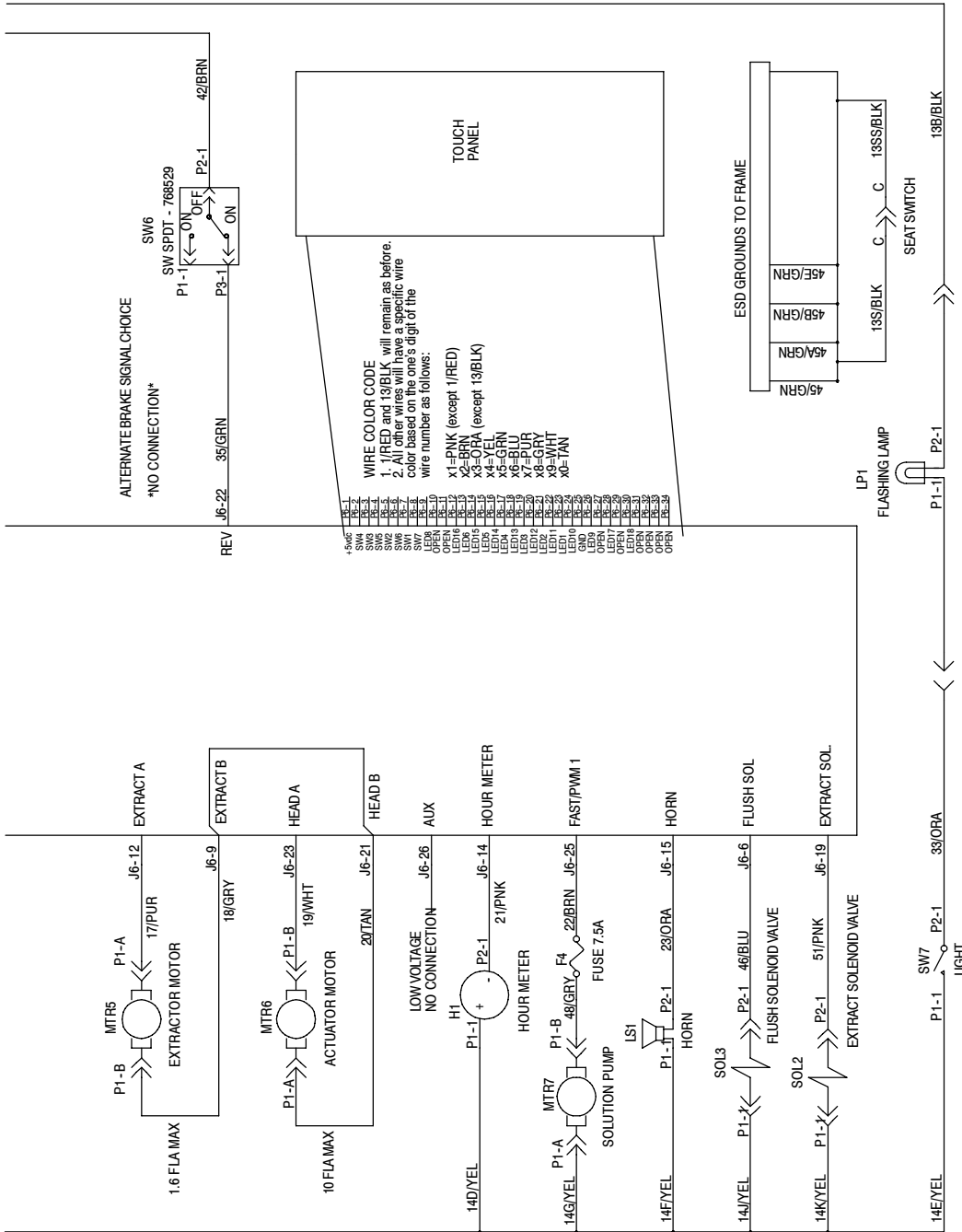
ELECTRICAL DIAGRAM

1035160



ELECTRICAL DIAGRAM

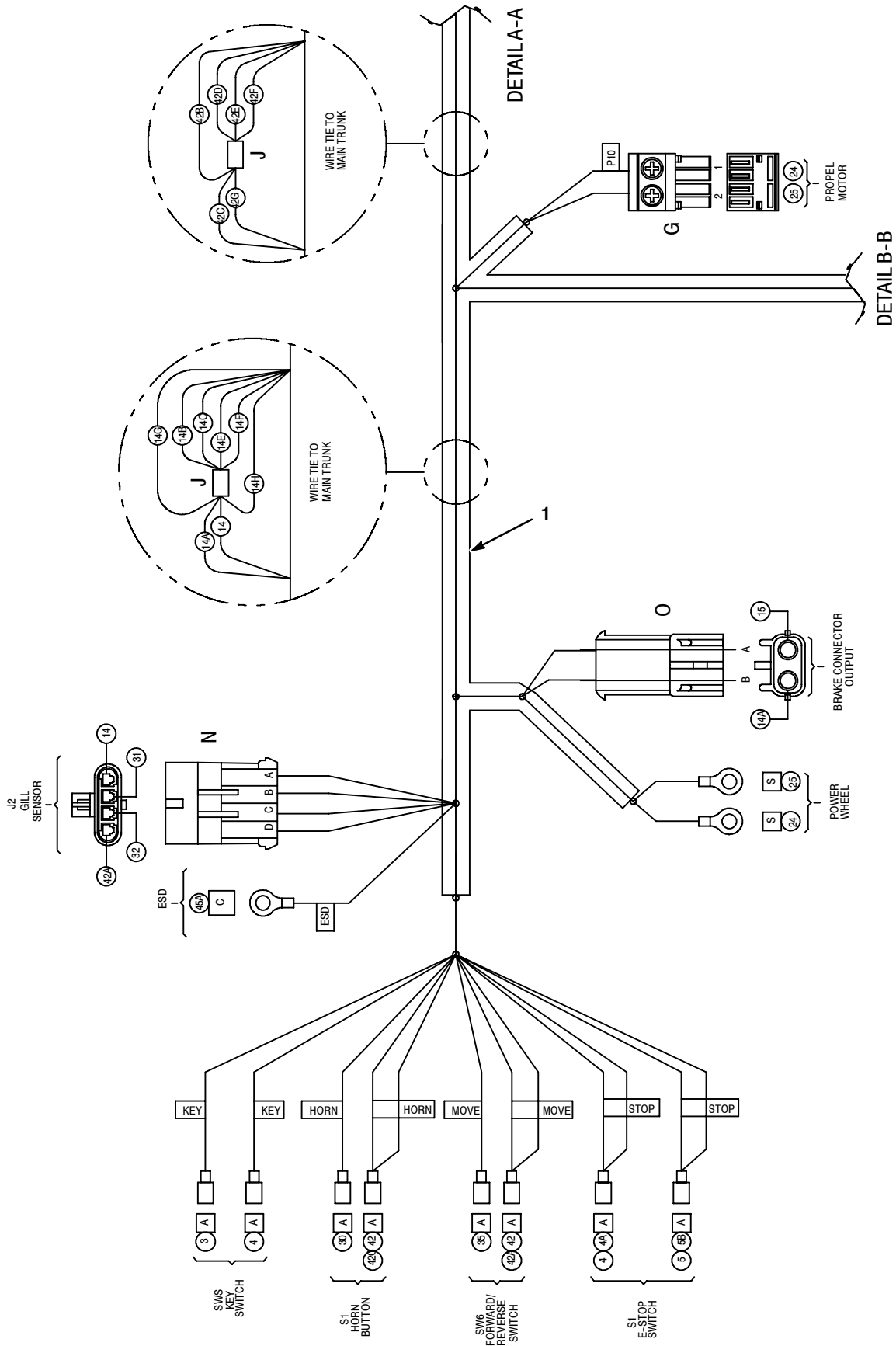
1035160



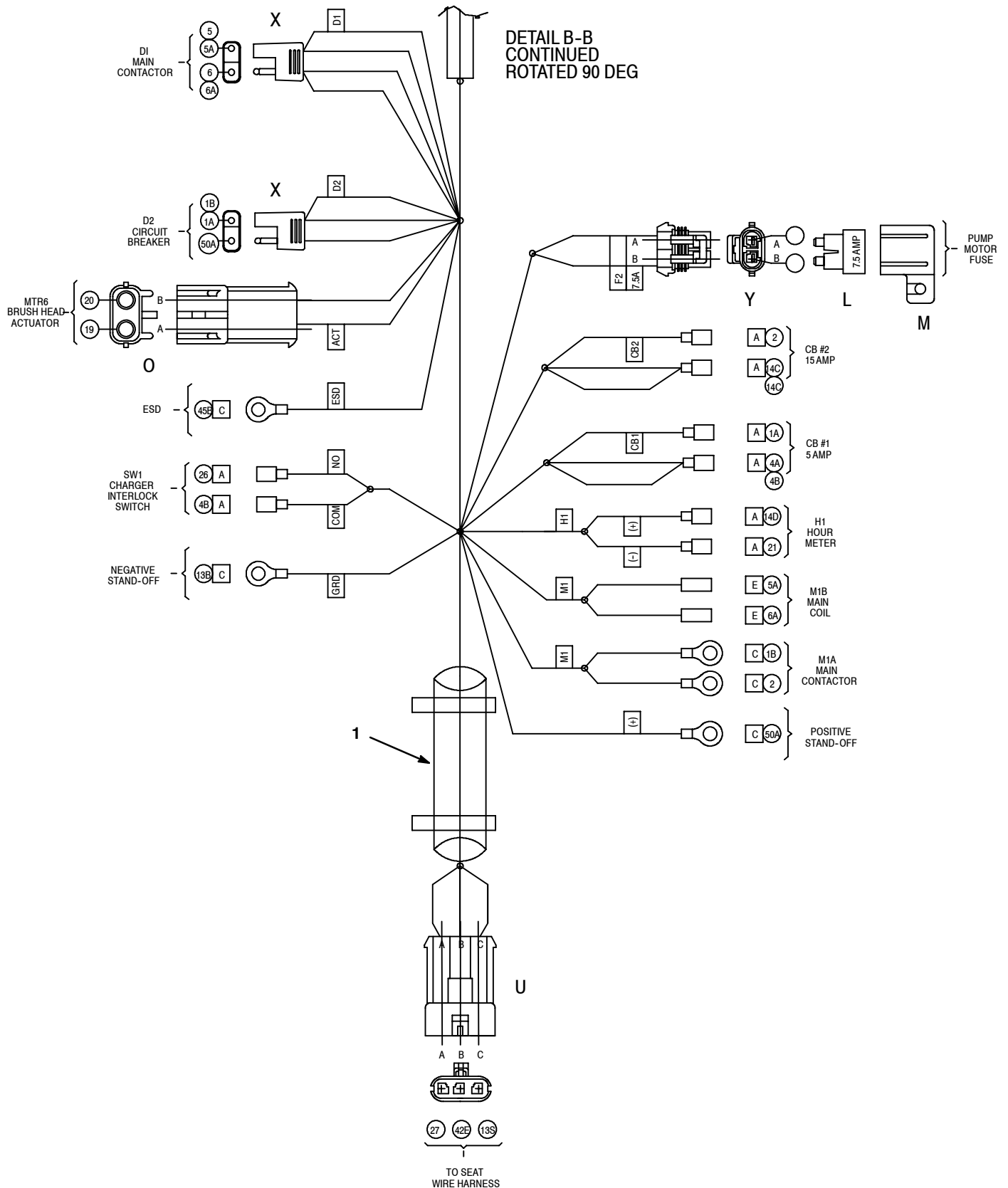
LEGEND

CB1 = CIRCUIT BREAKER 5A #383720	MTR3 = REAR BRUSH MOTOR #1023355	SOL3 = FLUSH SOLENOID VALVE #1023693 (3 STATION / #1025177 (2 STATION))
CB2 = CIRCUIT BREAKER 15A #383722	MTR4 = VACUUM MOTOR 1 #1013432	SW1 = CHRGR INTRLCK SWITCH #600437
D1 = DIODE #222290	MTR5 = EXTRACTOR MOTOR (PM) #1023355	SW2 = SEAT SWITCH #223078
D2 = DIODE #222290	MTR6 = ACTUATOR MOTOR (PM) #1010895	SW3 = SOL REC FULL FLOAT SWITCH #385685
F1 = FUSE 100A #86379	MTR7 = SOLUTION PUMP #1022343	SW4 = SOL LOW FLOAT SWITCH #602919
F2 = FUSE 7.5A #1016039	MTR9 = VACUUM MOTOR 2 #1013432	SW5 = KEY SWITCH #1016789
H1 = HOUR METER #377433	S1 = EMERGENCY SWITCH #1011735	SW6 = DIRECTIONAL SWITCH #1013763
LP1 = FLASHING LAMP #1015170	S2 = HORN SWITCH PUSH BTN #1014832	SW7 = LIGHT SWITCH #1023308
LS1 = HORN #1018505	SOL1 = RS SOLENOID VALVE #1023693 (3 STATION / #1025177 (2 STATION))	U1 = CONTROL BOARD #1024921
M1A = CONTACTOR #02424	SOL2 = EXTR SOLENOID VALVE #1023693 (3 STATION / #1025177 (2 STATION))	U2 = GILL SENSOR #1011562
MTR1A = PROPEL MOTOR #1024247		
MTR1B = PARKING BRAKE #372869		
MTR2 = FRONT BRUSH MOTOR #1023355		

ELECTRICAL WIRE HARNESS GROUP - SECTION 1 OF 5



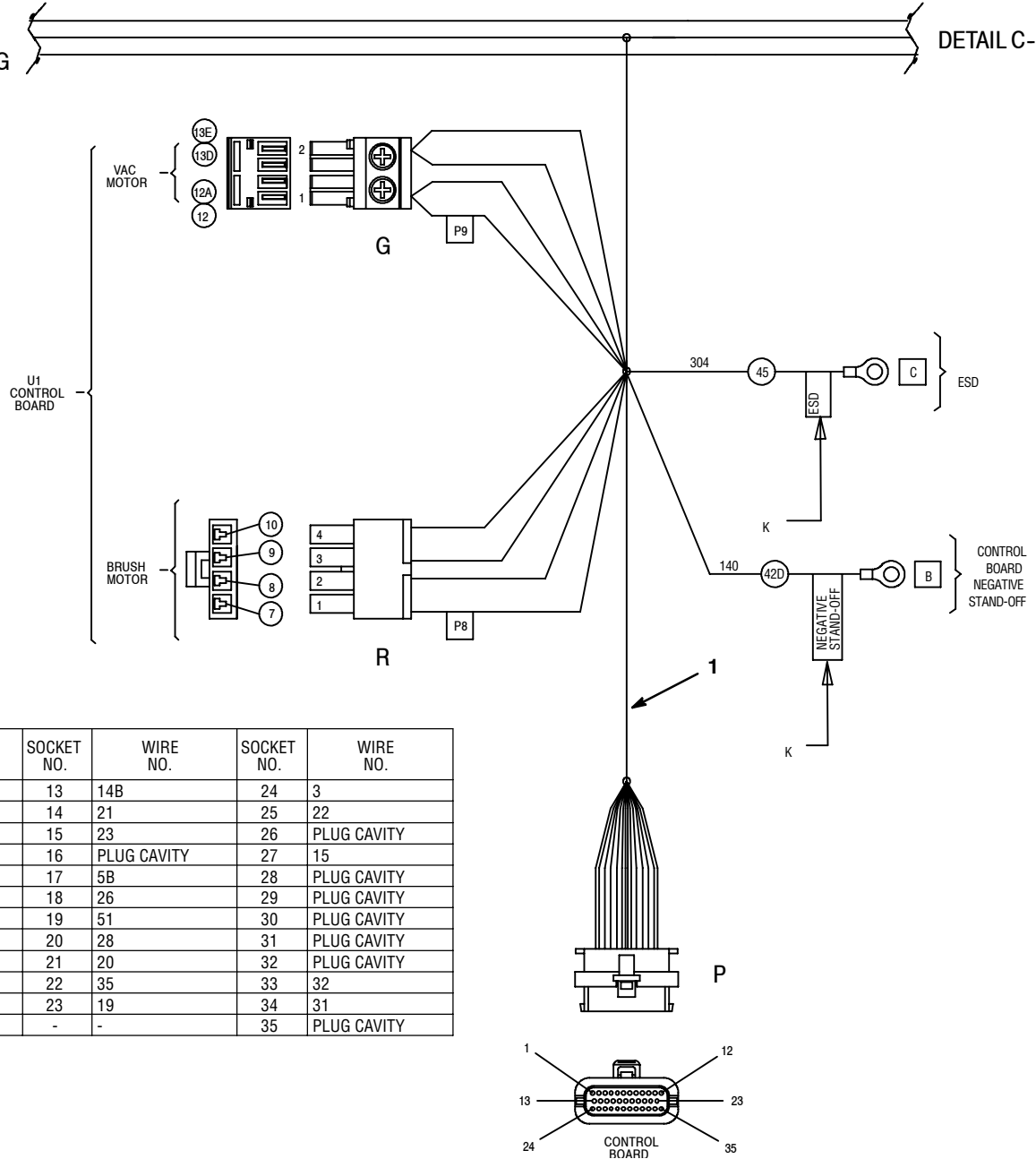
ELECTRICAL WIRE HARNESS GROUP - SECTION 2 OF 5



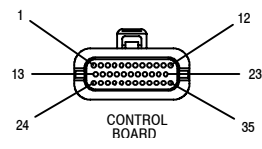
STANDARD PARTS

ELECTRICAL WIRE HARNESS GROUP - SECTION 3 OF 5 (S/N 10389602-)

DETAIL A-A CONTINUED ROTATED 90 DEG DETAIL C-C



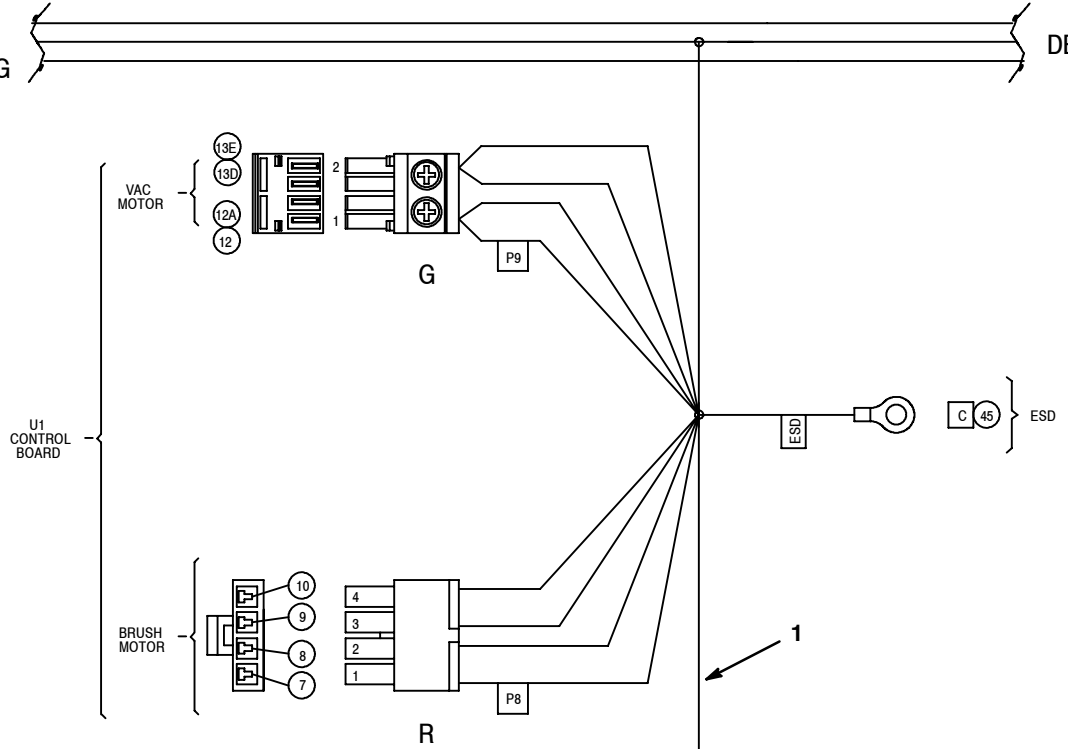
SOCKET NO.	WIRE NO.	SOCKET NO.	WIRE NO.	SOCKET NO.	WIRE NO.
1	PLUG CAVITY	13	14B	24	3
2	PLUG CAVITY	14	21	25	22
3	PLUG CAVITY	15	23	26	PLUG CAVITY
4	16	16	PLUG CAVITY	27	15
5	6	17	5B	28	PLUG CAVITY
6	46	18	26	29	PLUG CAVITY
7	27	19	51	30	PLUG CAVITY
8	29	20	28	31	PLUG CAVITY
9	18	21	20	32	PLUG CAVITY
10	30	22	35	33	32
11	47	23	19	34	31
12	17	-	-	35	PLUG CAVITY



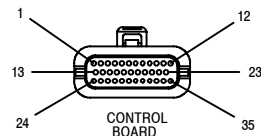
Ref.	Part No.	Serial Number	Description	Qty.
1	1044984	(10389602-) • Harness, Main [R14]	1

ELECTRICAL WIRE HARNESS GROUP - SECTION 3 OF 5 (S/N 0000000-10389601)

DETAIL A-A CONTINUED ROTATED 90 DEG DETAIL C-C



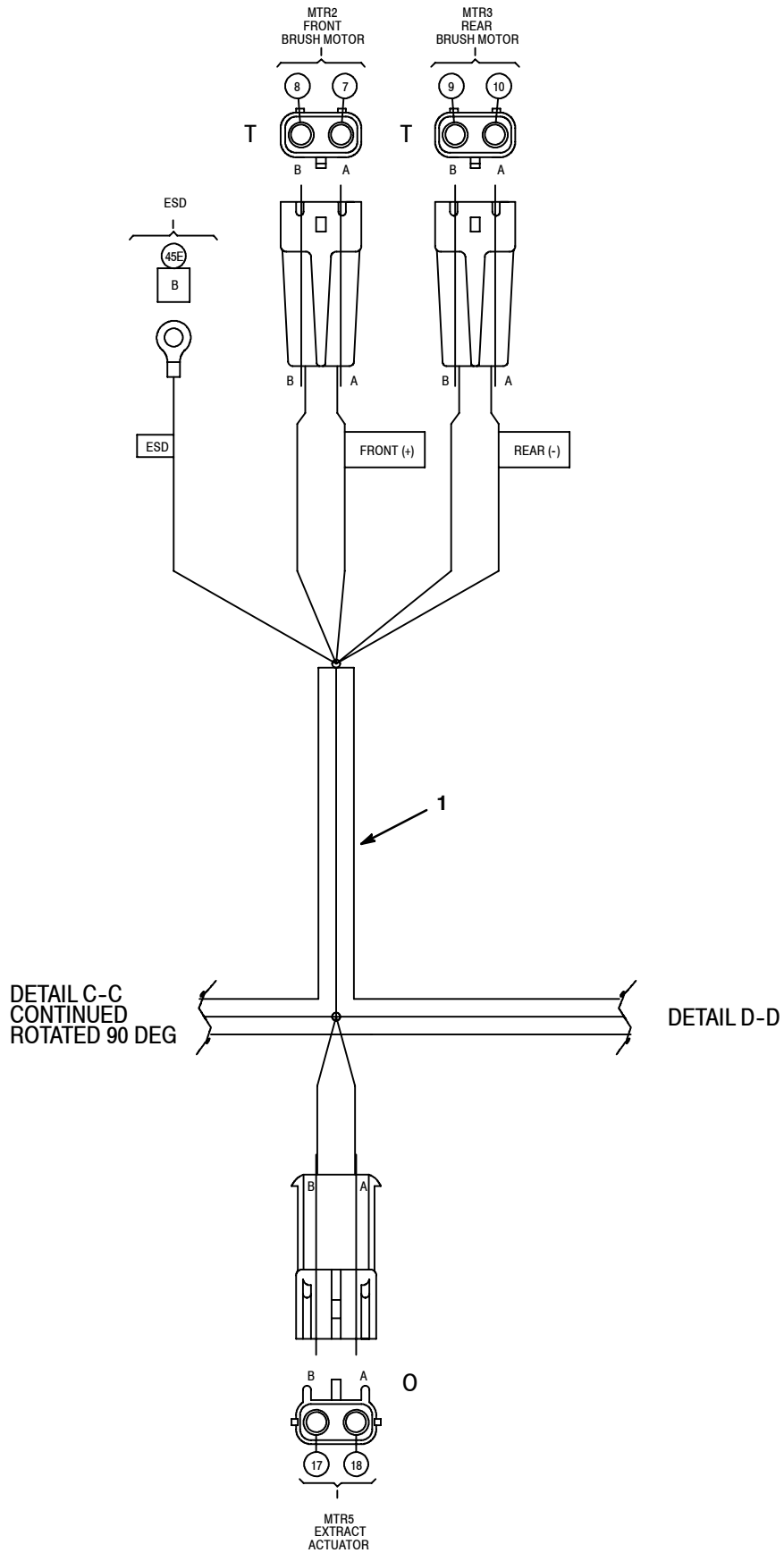
SOCKET NO.	WIRE NO.	SOCKET NO.	WIRE NO.	SOCKET NO.	WIRE NO.
1	PLUG CAVITY	13	14B	24	3
2	PLUG CAVITY	14	21	25	22
3	PLUG CAVITY	15	23	26	PLUG CAVITY
4	16	16	PLUG CAVITY	27	15
5	6	17	5B	28	PLUG CAVITY
6	46	18	26	29	PLUG CAVITY
7	27	19	51	30	PLUG CAVITY
8	29	20	28	31	PLUG CAVITY
9	18	21	20	32	PLUG CAVITY
10	30	22	35	33	32
11	47	23	19	34	31
12	17	-	-	35	42D



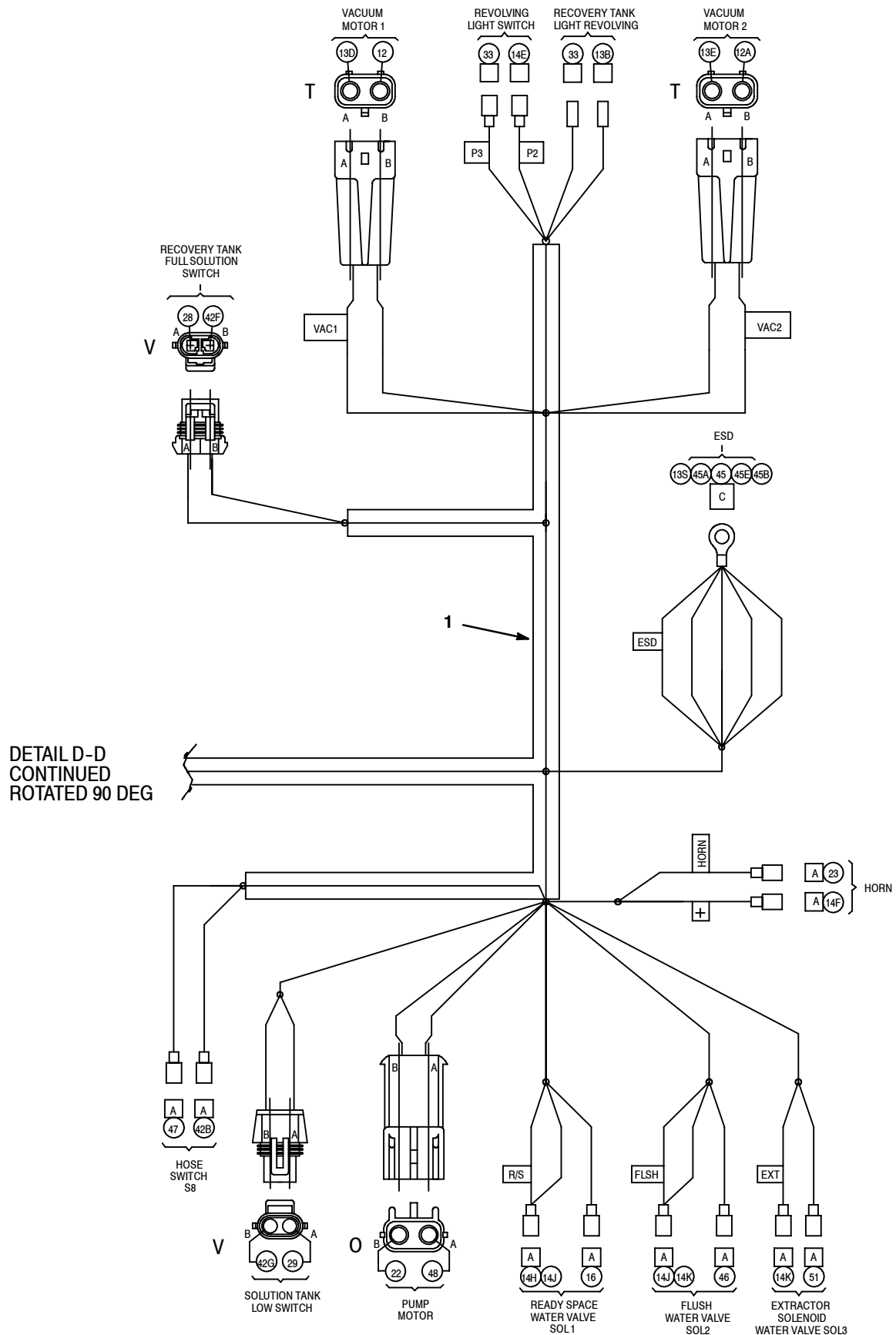
Ref.	Part No.	Serial Number	Description	Qty.
1	1025451	(00000000-10389601)	● Harness, Main	1

Rep.By 1044984

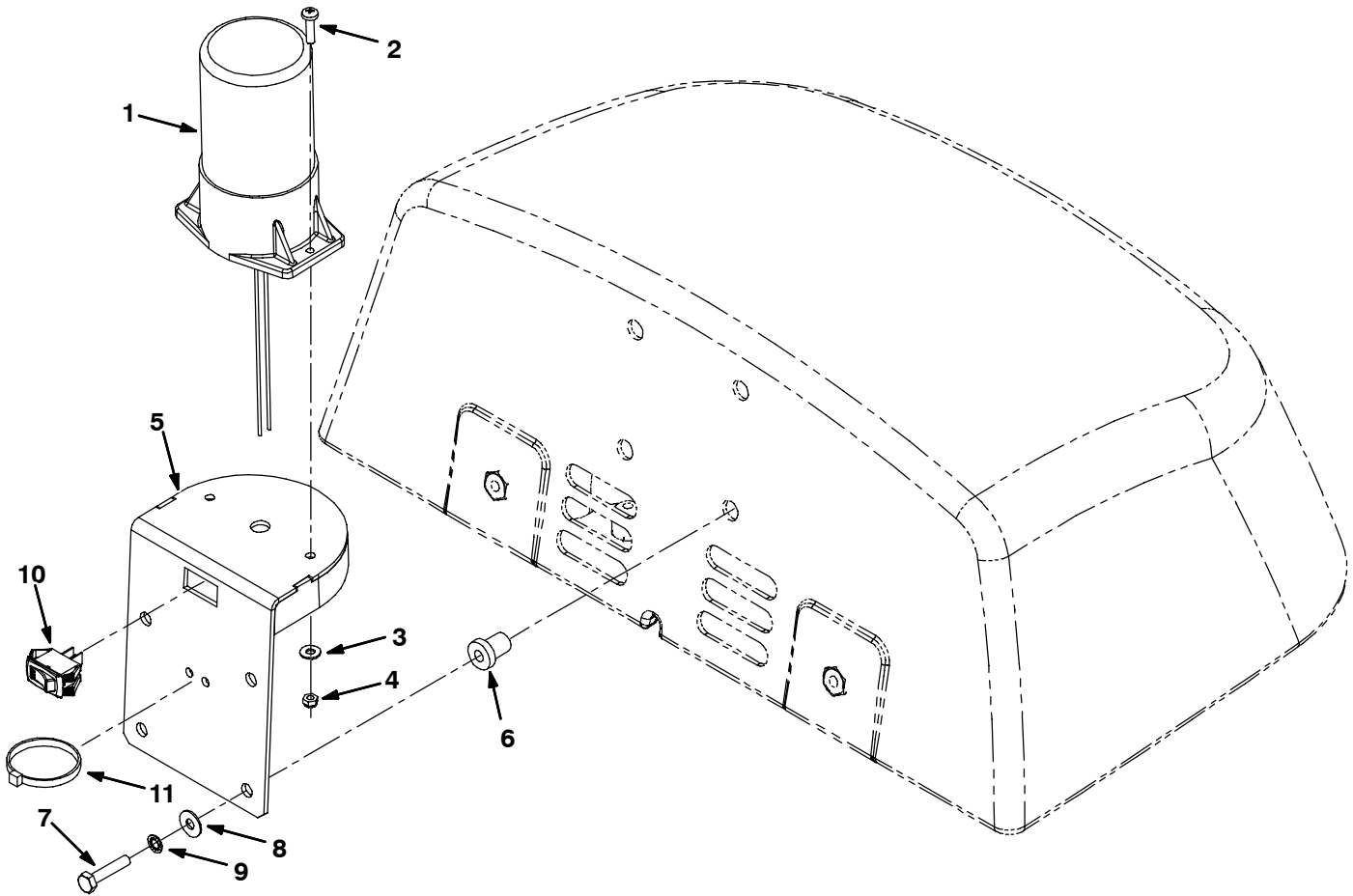
ELECTRICAL WIRE HARNESS GROUP - SECTION 4 OF 5



ELECTRICAL WIRE HARNESS GROUP - SECTION 5 OF 5



FLASHING LIGHT KIT



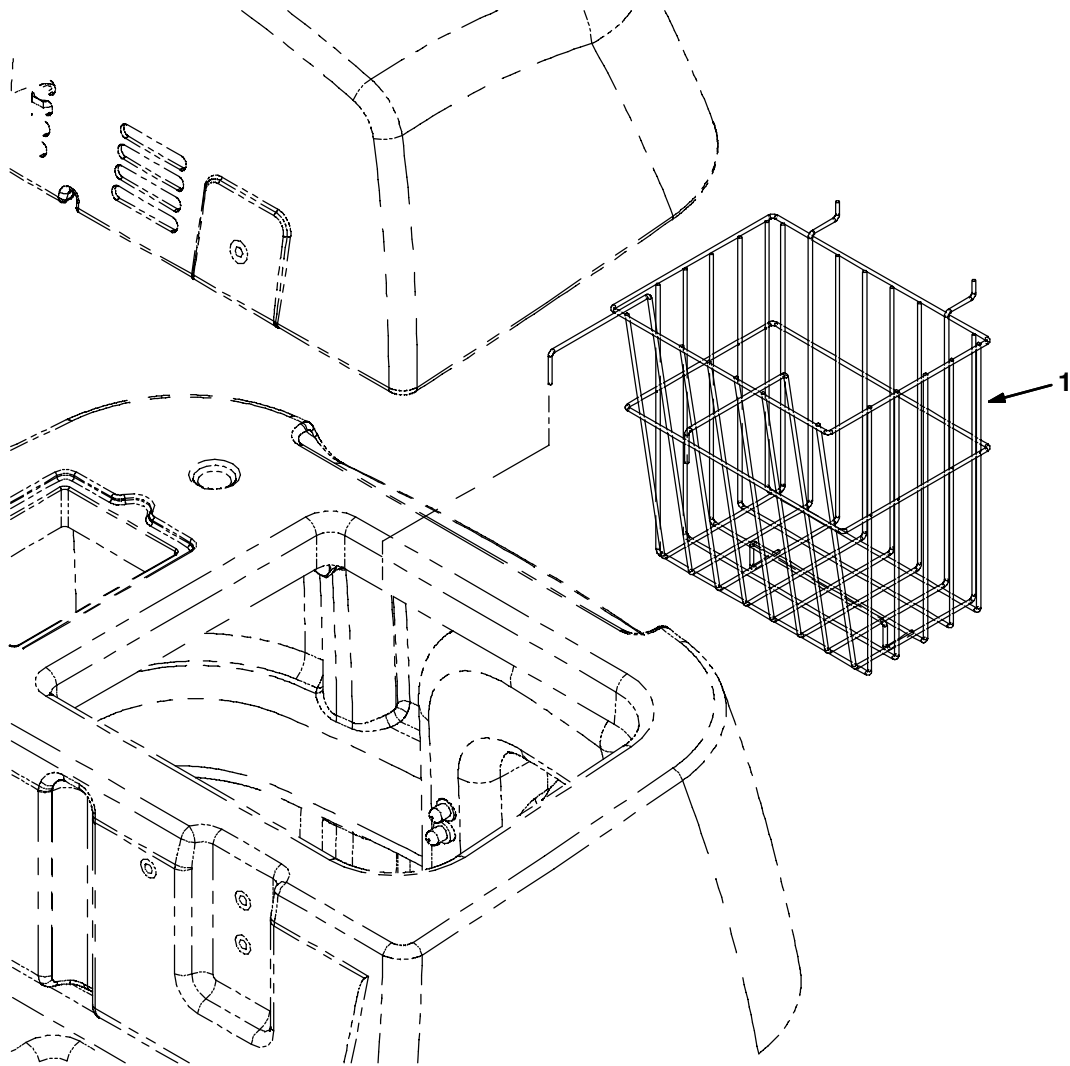
Ref.	Part No.	Serial Number	Description	Qty.
▽	9000581	(00000000-)	● Light Kit, Flsh, Ci [T7/Ssr]	1
▲▽	1 1015170	(00000000-)	● Light Assy, Flsh, 24vdc	1
▲▲	1014564	(00000000-)	● Light, Strobe, 12-80vdc, 4watt	1
▲	2 24196	(00000000-)) Screw, Pan, M5 X 0.8 X 20, Ss	2
▲	3 01683	(00000000-)) Washer, Flat, #10, Ss	2
▲	4 09739	(00000000-)) Nut, Hex, Lock, M5 X 0.80, NI, Ss	2
▲	5 1014527	(00000000-)) Bracket Wldt, Light, Flsh	1
▲	6 61913	(00000000-)) Nut, Isolator, .25-20 Wall Th .031-.187	4
▲	7 01699	(00000000-)) Screw, Hex, .25-20 X 1.25, Ss	4
▲	8 01684	(00000000-)) Washer, Flat, 0.25, Ss	4
▲	9 07515	(00000000-)) Washer, Lock, Int, 0.25, Ss	4
▲	10 130717	(00000000-)	● Switch, Rocker, Spst On-Off	1
▲	11 130040	(00000000-)) Tie, Cable, Nyl, 06.0l .12w	1

▽ ASSEMBLY

▲ INCLUDED IN ASSEMBLY

● RECOMMENDED STOCK ITEMS

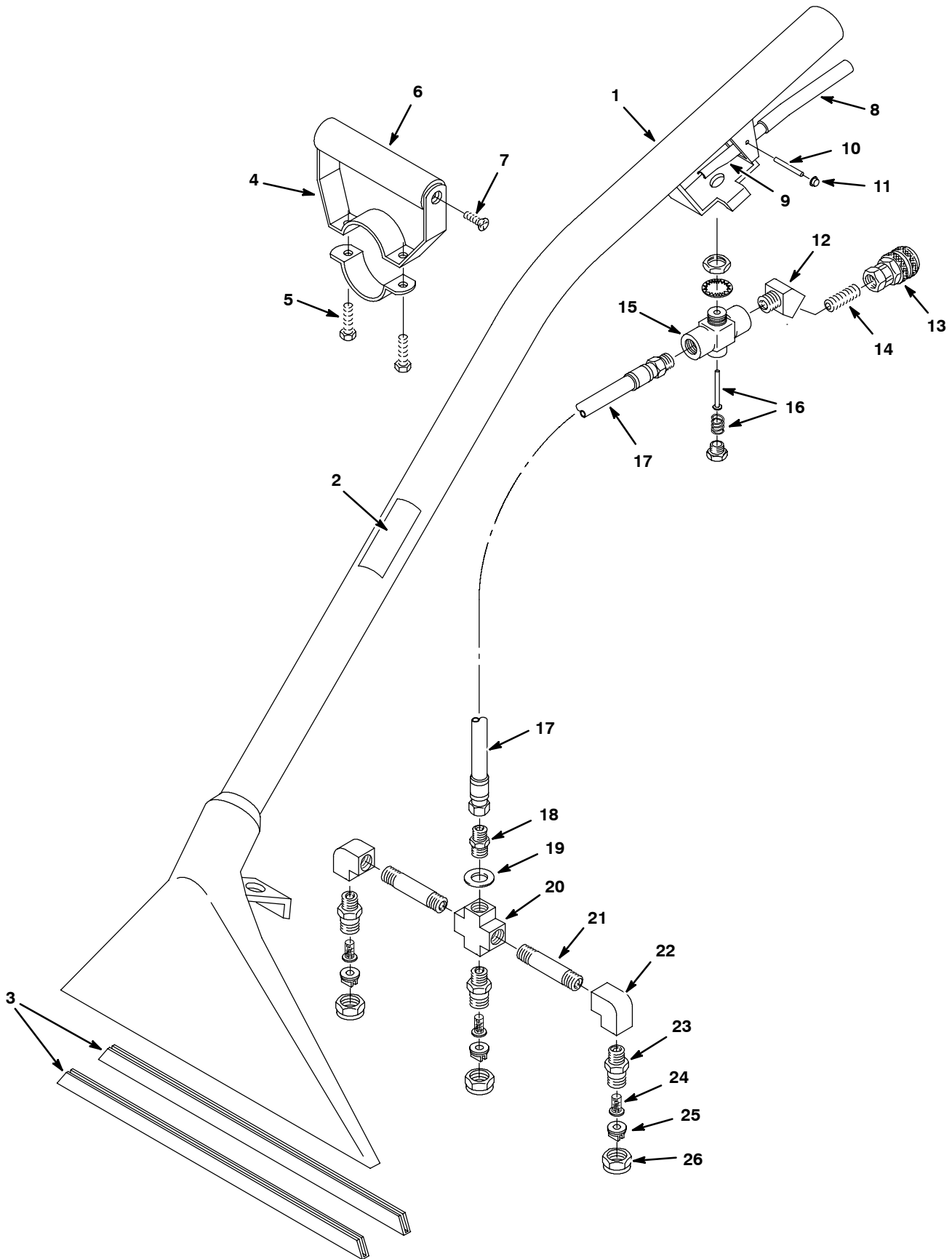
BASKET KIT



Ref.	Part No.	Serial Number	Description	Qty.
1	9001004	(00000000-)● Basket Kit, Ci	1

● RECOMMENDED STOCK ITEMS

WAND GROUP, LOW PRESSURE 13 in / 330 mm



WAND GROUP, LOW PRESSURE 13 in / 330 mm

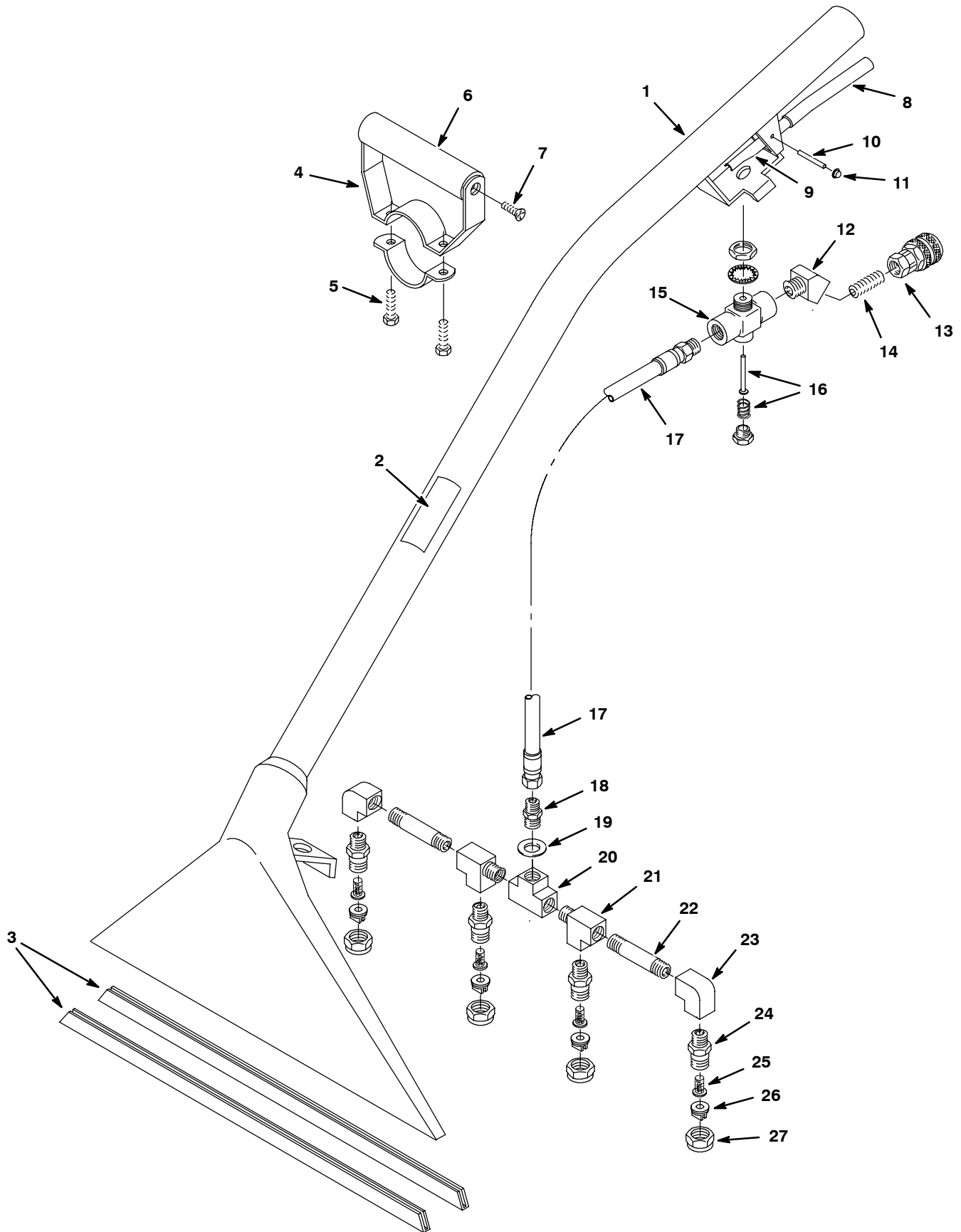
Ref.	Part No.	Serial Number	Description	Qty.
▽	600048	(00000000-)● Tool, Floor, 13.0w, 33cm [W/3 Nozzles]	1
▲	1 200403.BK	(00000000-)● Tool, Pickup, Floor, 12w, Blk	1
▲	2 120846	(00000000-) Label, Low-Press Floor Tool	1
▲	3 200939	(00000000-) Plate, Tool, Floor, 13.00 [Shoe]	2
▲▽	4 200927	(00000000-) Grip, Hand, Adj, Complt	1
▲▲	5 01697	(00000000-) Screw, Hex, .25-20 X 0.62, Ss	2
▲▲	6 200912	(00000000-)● Grip, Handle, Foam	1
▲▲	7 140834	(00000000-) Screw, Flt, .25-20 X 0.62, Phl, Ss	2
▲	8 200809	(00000000-) Sleeve, Handle / Floor Tool	1
▲	9 200902	(00000000-) Handle, Valve [Imperial]	1
▲	10 140605	(00000000-) Pin, Handle [Imperial Eastman]	1
▲	11 140520	(00000000-)● Nut, Push, .25id, Blk, PI	2
▲	12 150403	(00000000-) Fitting, Brs, E45, Pf04/Pm04 [Taped]	1
▲	13 150913	(00000000-) Fitting, Brs, Qdc, Pf04 [Ser60]	1
▲	14 150615	(00000000-) Fitting, Brs, Str, Pm04, Close, T	1
▲▽	15 210150	(00000000-)● Valve, Water, Flow Cntrl, Pf04/Pf04	1
▲▲	16 190603	(00000000-)● Imperial Eastman Kit, Repair	1
▲	17 160170	(00000000-) Hose Assy, Wand, 47.34 [Endtoend, 42059]	1
▲	18 150606	(00000000-) Fitting, Brs, Str, Pm04/Pm04 X1.38 [Nip]	1
▲	19 140058	(00000000-) Washer, Flat, 0.54b 0.88d .06, Ss [Wand]	1
▲▽	700062	(00000000-) Bar Assy, Spray, 12inch, W/O Tip[Flr TI]	1
▲▲	20 150700	(00000000-)● Fitting, Brs, Cross, Pf04/Pf04/Pf04/Pf04	1
▲▲	21 150600	(00000000-) Fitting, Brs, Nipple, .25qm X 2.0[Taped]	2
▲▲	22 150401	(00000000-) Fitting, Brs, E90, Pf04/Pf04	2
▲▲	23 200993	(00000000-) Fitting, Brs, Pm04 [Spray Body]	3
▲	24 200996	(00000000-)● Filter, Screen, 100 Mesh, Check Valve	3
▲	25 200964	(00000000-)● Fitting, Brs, Tip [11003, T-Jet]	3
▲	26 200994	(00000000-) Cap, Nozzle, Spray [#8002]	3

▽ ASSEMBLY

▲ INCLUDED IN ASSEMBLY

● RECOMMENDED STOCK ITEMS

WAND GROUP, LOW PRESSURE 16 in / 406 mm



WAND GROUP, LOW PRESSURE 16 in / 406 mm

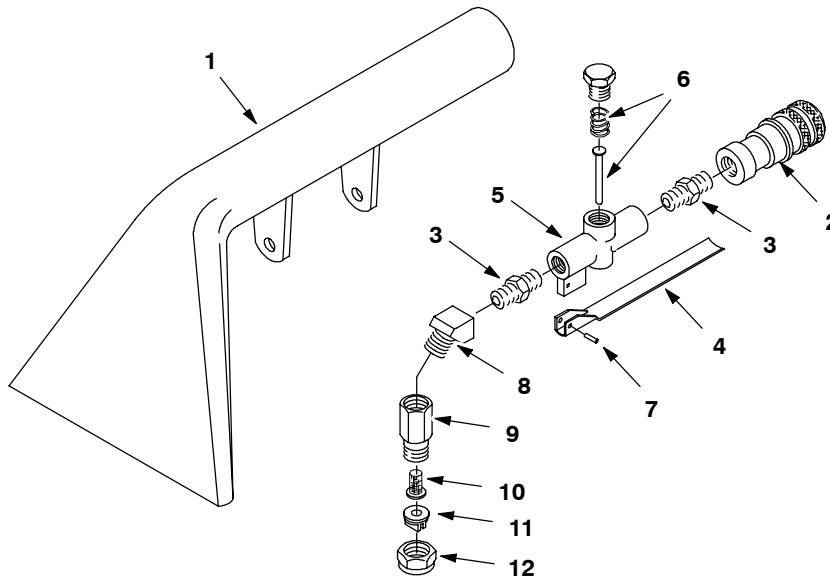
Ref.	Part No.	Serial Number	Description	Qty.
▽	200503	(00000000-)● Tool, Pickup, Floor, 16w [Lp Series 60]	1
▲	1 200411.BK	(00000000-)● Tool, Pickup, Floor, 16w, Blk	1
▲	2 120846	(00000000-) Label, Low-Press Floor Tool	1
▲	3 200956	(00000000-) Plate, Floor, 16.00, Ss [Shoe]	2
▲▽	4 200927	(00000000-) Grip, Hand, Adj, Complt	1
▲▲	5 01697	(00000000-) Screw, Hex, .25-20 X 0.62, Ss	2
▲▲	6 200912	(00000000-)● Grip, Handle, Foam	1
▲▲	7 140834	(00000000-) Screw, Flt, .25-20 X 0.62, Phl, Ss	2
▲	8 200809	(00000000-) Sleeve, Handle / Floor Tool	1
▲	9 200902	(00000000-) Handle, Valve [Imperial]	1
▲	10 140605	(00000000-) Pin, Handle [Imperial Eastman]	1
▲	11 140520	(00000000-)● Nut, Push, .25id, Blk, PI	2
▲	12 150403	(00000000-) Fitting, Brs, E45, Pf04/Pm04 [Taped]	1
▲	13 150913	(00000000-) Fitting, Brs, Qdc, Pf04 [Ser60]	1
▲	14 150615	(00000000-) Fitting, Brs, Str, Pm04, Close, T	1
▲▽	15 210150	(00000000-)● Valve, Water, Flow Cntrl, Pf04/Pf04	1
▲▲	16 190603	(00000000-)● Imperial Eastman Kit, Repair	1
▲	17 160170	(00000000-) Hose Assy, Wand, 47.34 [Endtoend, 42059]	1
▲	18 150606	(00000000-) Fitting, Brs, Str, Pm04/Pm04 X1.38 [Nip]	1
▲	19 140058	(00000000-) Washer, Flat, 0.54b 0.88d .06, Ss [Wand]	1
▲▽	700656	(00000000-) Bar Assy, Spray, 16inch, W/O Tip	1
▲▲	20 150706	(00000000-)● Fitting, Brs, Tee, Pf04/Pf04/Pf04	1
▲▲	21 150709	(00000000-) Fitting, Brs, Tee, Pm04/Pf04/Pf04, Run	2
▲▲	22 150600	(00000000-) Fitting, Brs, Nipple, .25qm X 2.0[Taped]	2
▲▲	23 150401	(00000000-) Fitting, Brs, E90, Pf04/Pf04	2
▲	24 200993	(00000000-) Fitting, Brs, Pm04 [Spray Body]	4
▲	25 200996	(00000000-)● Filter, Screen, 100 Mesh, Check Valve	4
▲	26 200964	(00000000-)● Fitting, Brs, Tip [11003, T-Jet]	4
▲	27 200994	(00000000-) Cap, Nozzle, Spray [#8002]	4

▽ ASSEMBLY

▲ INCLUDED IN ASSEMBLY

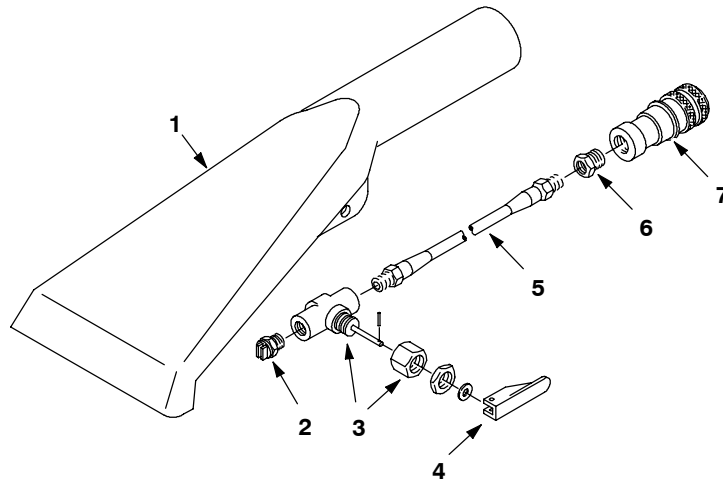
● RECOMMENDED STOCK ITEMS

HAND TOOL, 5 in / 127 mm



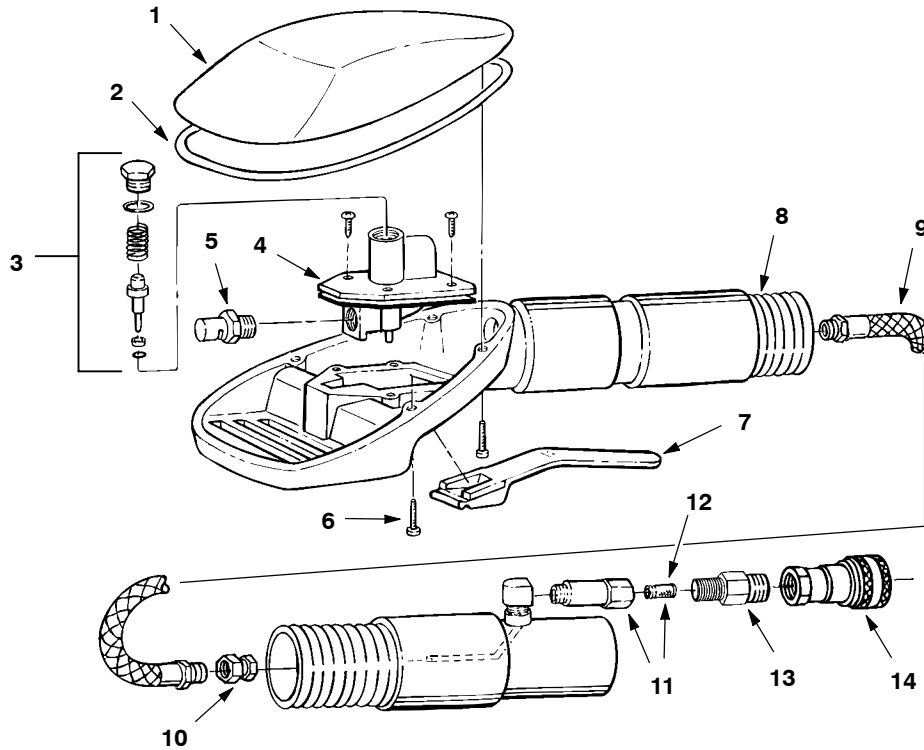
Ref.	Part No.	Serial Number	Description	Qty.
▽	200505	(00000000-)● Tool, Hand, 127mm 5.0w	1
▲	1	200431.BK	(00000000-)● Tool, Hand, Blk	1
▲	2	150913	(00000000-)) Fitting, Brs, Qdc, Pf04 [Ser60]	1
▲	3	150606	(00000000-)) Fitting, Brs, Str, Pm04/Pm04 X1.38 [Nip]	2
▲	4	200905	(00000000-)) Lever [K-Valve W/ Pin]	1
▲	5	210210	(00000000-))● Valve, Water, Flow Cntrl, Pf04/Pf04	1
▲	6	190600	(00000000-))● K-Valve Kit, Repair	1
▲	7	140609	(00000000-)) Pin, Roll, .187d X 0.56l, PI	1
▲	8	150403	(00000000-)) Fitting, Brs, E45, Pf04/Pm04 [Taped]	1
▲	9	200992	(00000000-)) Fitting, Brs, Str, Pf02, Swivel	1
▲	10	200996	(00000000-))● Filter, Screen, 100 Mesh, Check Valve	1
▲	11	200965	(00000000-))● Fitting, Brs, Tip [8002, T-Jet]	1
▲	12	200994	(00000000-)) Cap, Nozzle, Spray [#8002]	1

HAND TOOL, CREVICE 3 in / 76 mm



Ref.	Part No.	Serial Number	Description	Qty.
▽	200517	(00000000-)● Tool [Crevice Lp/Hp Series 60]	1
▲ 1	200436.BK	(00000000-) Tool, Blk [Crevice]	1
▲ 2	200975	(00000000-)● Fitting, Brs, Jet [.125 V-Jet]	1
▲ 3	210014	(00000000-)● Valve, Water, Toggle, Pf02, W/ Nut	1
▲ 4	210020	(00000000-) Handle, Valve [Positioner]	1
▲ 5	160106	(00000000-) Hose, Soltn, Crevice Tool	1
▲ 6	150100	(00000000-) Fitting, Brs, Str, Pf02/Pm04	1
▲ 7	150913	(00000000-) Fitting, Brs, Qdc, Pf04 [Ser60]	1

HAND TOOL, UPHOLSTERY, LOW PRESSURE



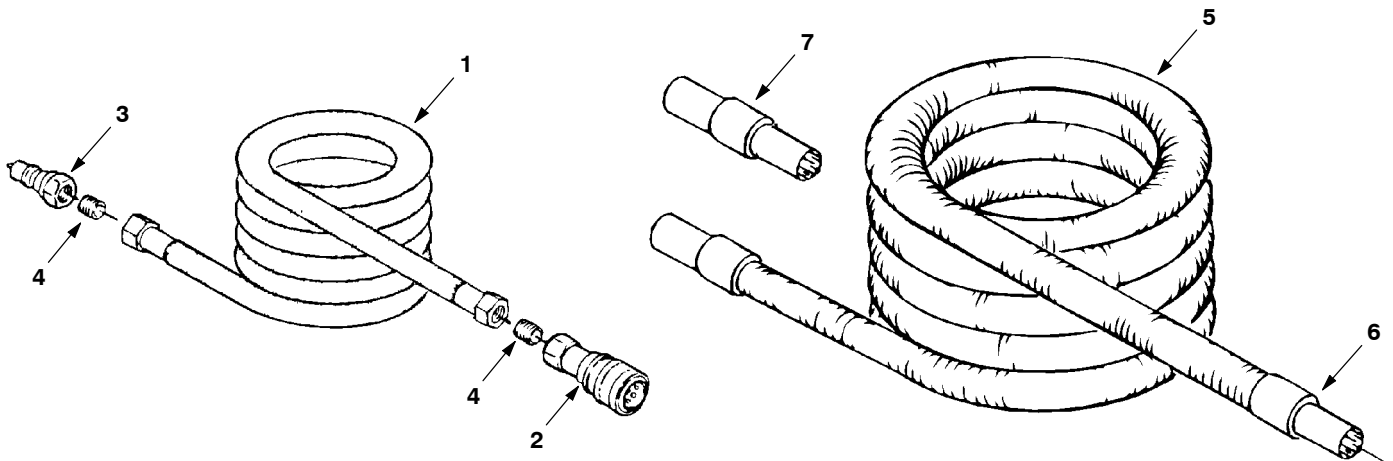
Ref.	Part No.	Serial Number	Description	Qty.
▽	200540	(00000000-	● Tool [Upholstery Lp Series 60]	1
▲	1 200845	(00000000-) Cover, Tool [Upholstery]	1
▲	2 200843	(00000000-) Gasket, Cover	1
▲	3 190631	(00000000-	● Service Kit [Upholstery, Lp]	1
▲	4 210226	(00000000-	● Valve, Water, Solenoid, 120vac Low Press	1
▲	5 200991	(00000000-	● Fitting, Ss, Jet, 1/8k-Jet	1
▲	6 200838	(00000000-) Screw, #06-32 X 0.75	4
▲	7 200840	(00000000-) Trigger Upholstery Tool	1
▲	8 200844	(00000000-	● Hose, Vacuum [Upholstery Tool W/O Cuffs]	1
▲	9 200837	(00000000-	● Hose [Hp Upholstery Tool]	1
▲	10 200848	(00000000-) Fitting, Brs [3 Pcs]	1
▲	11 200842	(00000000-) Filter, In-Line, Complt	1
▲	12 200841	(00000000-) Screen, Fltr, Inline	1
▲	13 150606	(00000000-) Fitting, Brs, Str, Pm04/Pm04 X1.38 [Nip]	1
▲	14 150913	(00000000-	● Fitting, Brs, Qdc, Pf04 [Ser60]	1

▽ ASSEMBLY

▲ INCLUDED IN ASSEMBLY

● RECOMMENDED STOCK ITEMS

HOSES, SOLUTION AND VACUUM GROUP



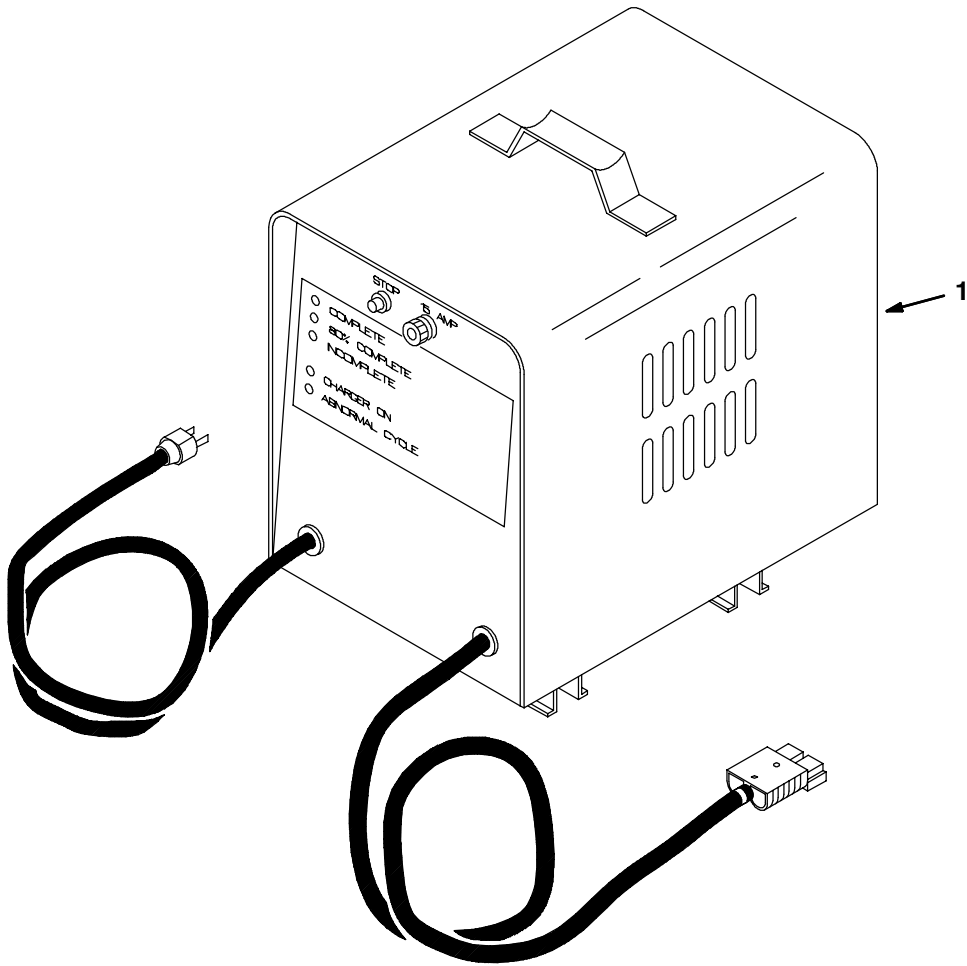
Ref.	Part No.	Serial Number	Description	Qty.
▽	1	160185	(00000000-) Hose, Soltn, .38id X 15ft [Series 60,Lp]	1
▽	1	160186	(00000000-) Hose, Soltn, .38id X 25ft [Series 60,Lp]	1
▽	1	160187	(00000000-) Hose, Soltn, .38id X 50ft [Series 60,Lp]	1
▲	2	150913	(00000000-) ● Fitting, Brs, Qdc, Pf04 [Ser60]	1
▲	3	150933	(00000000-) Fitting, Brs, Qdc, Pm04 [Ser60]	1
▲	4	150615	(00000000-) Fitting, Brs, Str, Pm04, Close, T	2
▽	5	160400	(00000000-) Hose, Vacuum, 1.50id X 15ft	1
▽	5	160401	(00000000-) Hose Kit, Vacuum, 1.50id X 25ft, 2cuff	1
▽	5	160402	(00000000-) Hose, Vacuum, 1.50id X 50ft	1
▲	6	160430	(00000000-) ● Cuff, 1.5d Hose, 1.5id	2
	7	160451	(00000000-) ● Connector, Hose, Vacuum, 1.50	1
	N/S	220040	(00000000-) ● Bag, Hose, Accssry, 24x36[W/Draw String]	1

▽ ASSEMBLY

▲ INCLUDED IN ASSEMBLY

● RECOMMENDED STOCK ITEMS

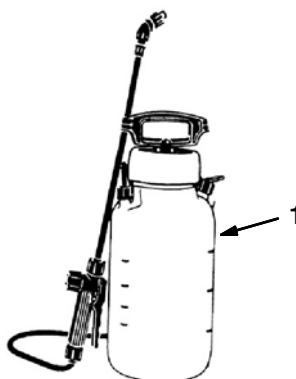
BATTERY CHARGER GROUP



Ref.	Part No.	Serial Number	Description	Qty.
1	604282	(00000000-	• Charger, 24vdc 30a Dual Vac 1ph 50/60hz	1

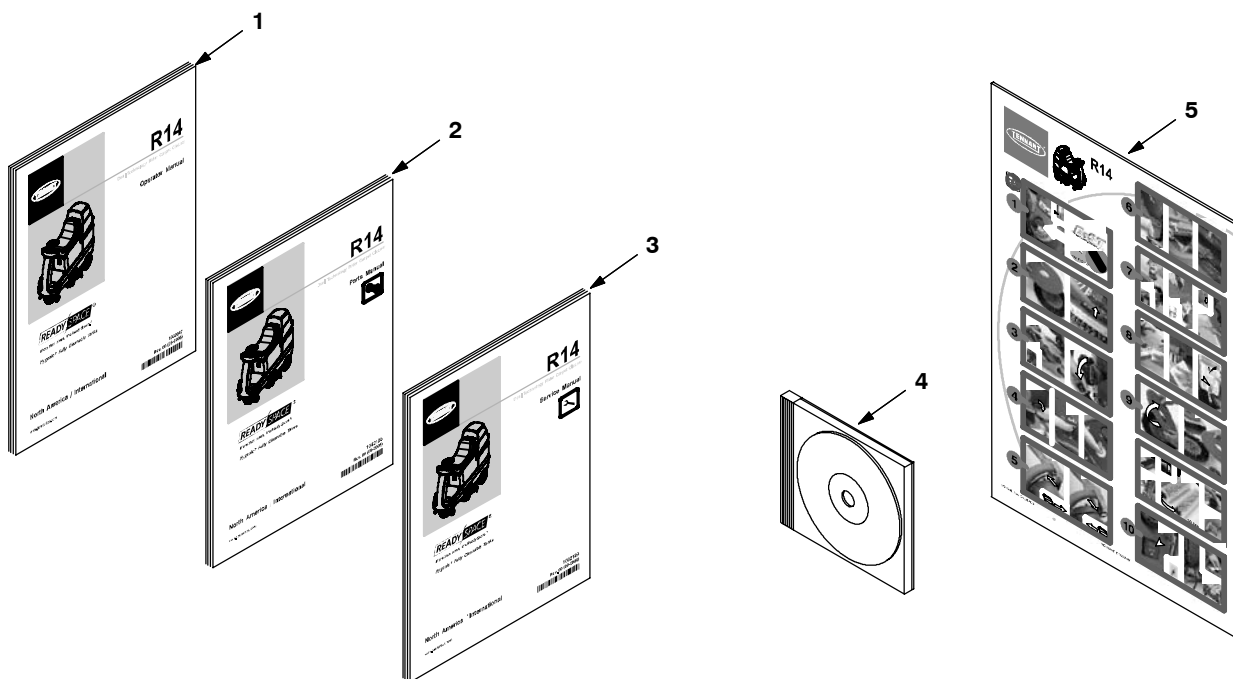
• RECOMMENDED STOCK ITEMS

SPRAYER GROUP



Ref.	Part No.	Serial Number	Description	Qty.
1	605848	(00000000-)• Sprayer 2gal Pumpup Hd	1

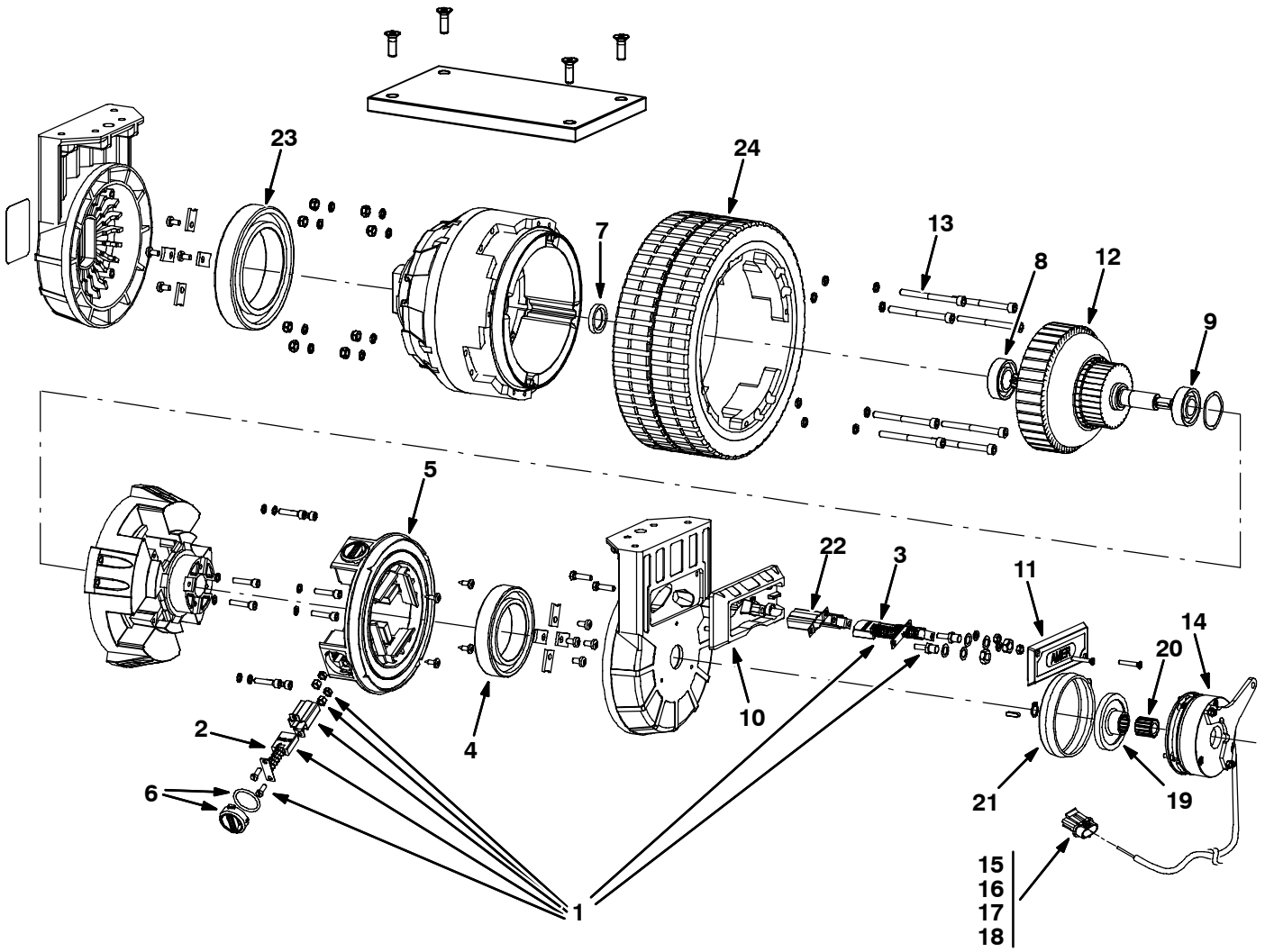
DOCUMENTATION GROUP



Ref.	Part No.	Serial Number	Description	Qty.
1	1032047	(00000000-)• Manual, Optrr [R14, En]	1
1	1032123	(00000000-)• Manual, Optrr [R14, Es]	1
1	1032124	(00000000-)• Manual, Optrr [R14, Fr]	1
2	1032125	(00000000-)• Manual, Parts [R14]	1
3	1032129	(00000000-)• Manual, Service [R14]	1
4	1026544	(00000000-)• Manual, Cd-Rom, Training [Interactive]	1
5	1032126	(00000000-)• Instr, Use & Care, En [R14]	1

● RECOMMENDED STOCK ITEMS

FRONT DRIVE WHEEL GEARBOX BREAKDOWN



FRONT DRIVE WHEEL GEARBOX BREAKDOWN

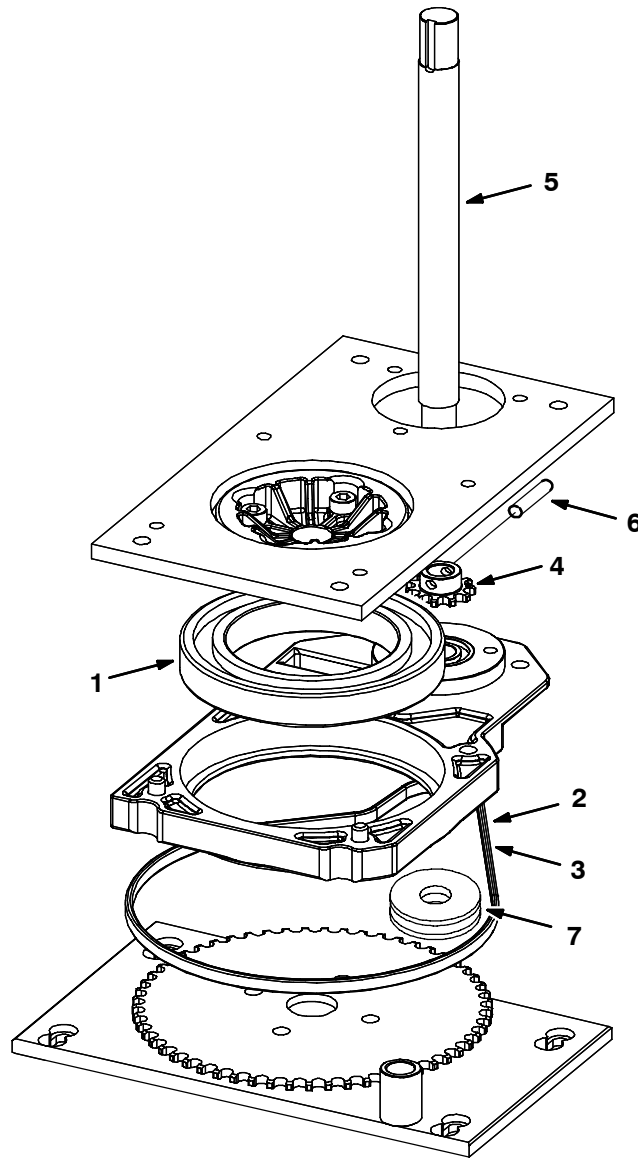
Ref.	Part No.	Serial Number	Description	Qty.
▽	9003021	(00000000-)● Gearbox Kit, Wheel, 250mm, W/Connector	1
▲	1 1034379	(00000000-)● Brush Kit, Motor [Amer, 1pick=1bag]	1
▲▽	1 1034382	(00000000-)● Brush Kit, Carbon	1
▲▲	2 1034411	(00000000-)● Brush, Carbon	4
▲▽	2 1034383	(00000000-)● Brush Kit, Carbon Curve	1
▲▲	3 1034410	(00000000-)● Brush, Carbon Curved	2
▲	4 1029227	(00000000-)● Vr, Bearing, Ball, Brush Side	1
▲	5 1034385	(00000000-) Ring, Brsh Holder, Afmkt	1
▲	6 391262	(00000000-) Brush Kit, Cover [Amer]	4
▲	7 391263	(00000000-) Seal, Ring [Amer]	1
▲	8 391264	(00000000-) Bearing, Gearbox Side [Amer]	1
▲	9 391265	(00000000-) Bearing, Motor Side [Amer]	1
▲	10 391467	(00000000-) Box, Ele, Connection	1
▲	11 391468	(00000000-) Cover, Ele, Connection	11
▲	12 1034384	(00000000-) Armature	1
▲	13 1034386	(00000000-) Screws, Wheel Mount, Afmkt	8
▲▽	14 9001644	(00000000-)● Brake Kit, Gearbox, W/ Connector	1
▲▲	15 78950	(00000000-)● Connector, Fem, 02cav, Mp280 Sealed	2
▲▲	16 78952	(00000000-)● Lock, Secondary, 2cav, Mp280 Sealed	2
▲▲	17 25837	(00000000-)● Terminal, Fem, Mp280, Sealed, 22-20ga	2
▲▲	18 25830	(00000000-)● Seal, Wire, 14ga [Wp / Mp280 Sealed]	2
▲▲	19 372870	(00000000-)● Disc, Brake	1
▲▲	20 372871	(00000000-) Adapter, Brake, Spl	1
▲	21 372872	(00000000-) Sleeve, Rbr	1
▲	22 372877	(00000000-) Guide, Brushholder, Slip Ring [Amer]	1
▲	23 372874	(00000000-)● Bearing, Steering	1
▲	24 391259	(00000000-)● Tire, Solid, 250mm X 90mm Red (Standard)	1
	24 391463	(00000000-) Tire, Solid, 250mm X 90mm Gray, Pyu (Option)	1

▽ ASSEMBLY

▲ INCLUDED IN ASSEMBLY

● RECOMMENDED STOCK ITEMS

STEERING CONTROL BREAKDOWN



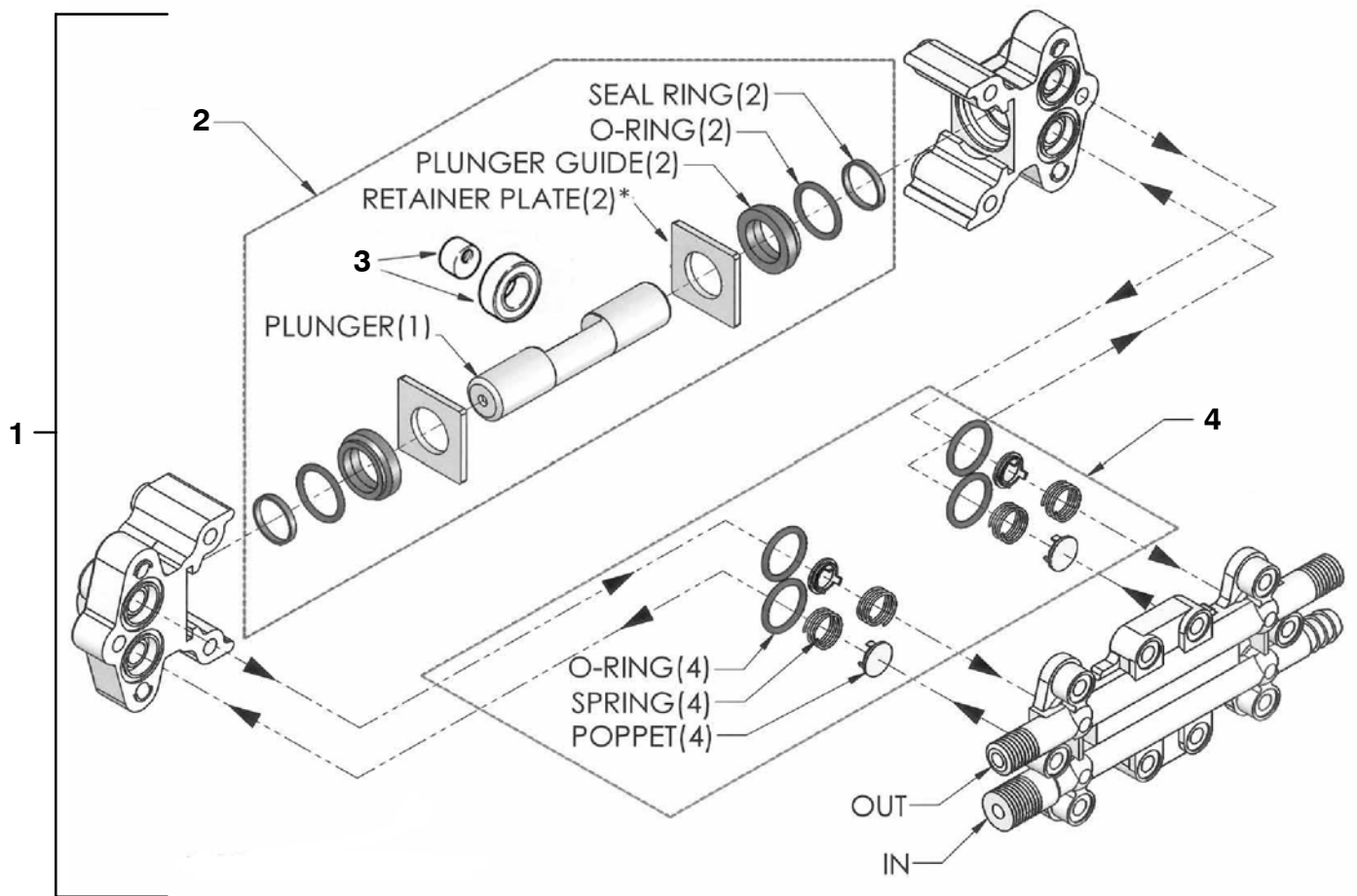
Ref.	Part No.	Serial Number	Description	Qty.
▽	1019724	(00000000-	● Steer-Control Assy, Wheel Drive	1
▲	1 372874	(00000000-	● Vr, Bearing, Steering	1
▲	2 372875	(00000000-	● Vr, Chain, Steering	1
▲	3 372876	(00000000-	● Vr, Link, Master	1
▲	4 372881	(00000000-	● Vr, Sprocket	1
▲	5 1029229	(00000000-	● Shaft, Steering	1
▲	6 1038313	(00000000-	● Pin, Roll, 06Mm X 28MmL	1
▲	7 1043371	(00000000-	● Pulley, Tens [T7/R14 Steering Assy]	1

▽ ASSEMBLY

▲ INCLUDED IN ASSEMBLY

● RECOMMENDED STOCK ITEMS

PUMP BREAKDOWN, 1022343



* Not Included with kit 9002988

Ref.	Part No.	Serial Number	Description	Qty.
▽	1022343	(00000000-)● PUMP, WATER, 24VDC, 2.0GPM 250PSI (COMPLETE)	1
▲	1034052	(00000000-)● MOTOR, 24VDC, PUMP, REPLMT	1
▲▽	1 1034050	(00000000-)● HEAD, PUMP, REPLMT	1
▲▲	2 9002988	(00000000-)● PLUNGER & SEAL KIT, REPLMT	1
▲▲	3 1034051	(00000000-)● BEARING, CAM, 100IN OFFSET, REPLMT	1
▲▲	4 9002989	(00000000-)● VALVE KIT, W/ O-RING, REPLMT	1

▽ ASSEMBLY

▲ INCLUDED IN ASSEMBLY